

# Barudan

HIGH SPEED AUTOMATIC EMBROIDERY MACHINE

MODEL

**BEMRHE-YN**  
**BEMSHE-YN**

**PARTS LIST**

**BARUDAN CO., LTD.**

ADDRESS 906 JOSUIJI  
ICHINOMIYA-CITY·AICHI-PREF·  
JAPAN

TEL. <0586>76-1137

FAX. <0586>77-1499

TELEX 4573268 BARUNA J

CABLE BARUNA ICHINOMIYA

# HIGH SPEED AUTOMATIC EMBROIDERY MACHIN

## BEMRHE-YN • BEMSHE-YN

### PARTS LIST

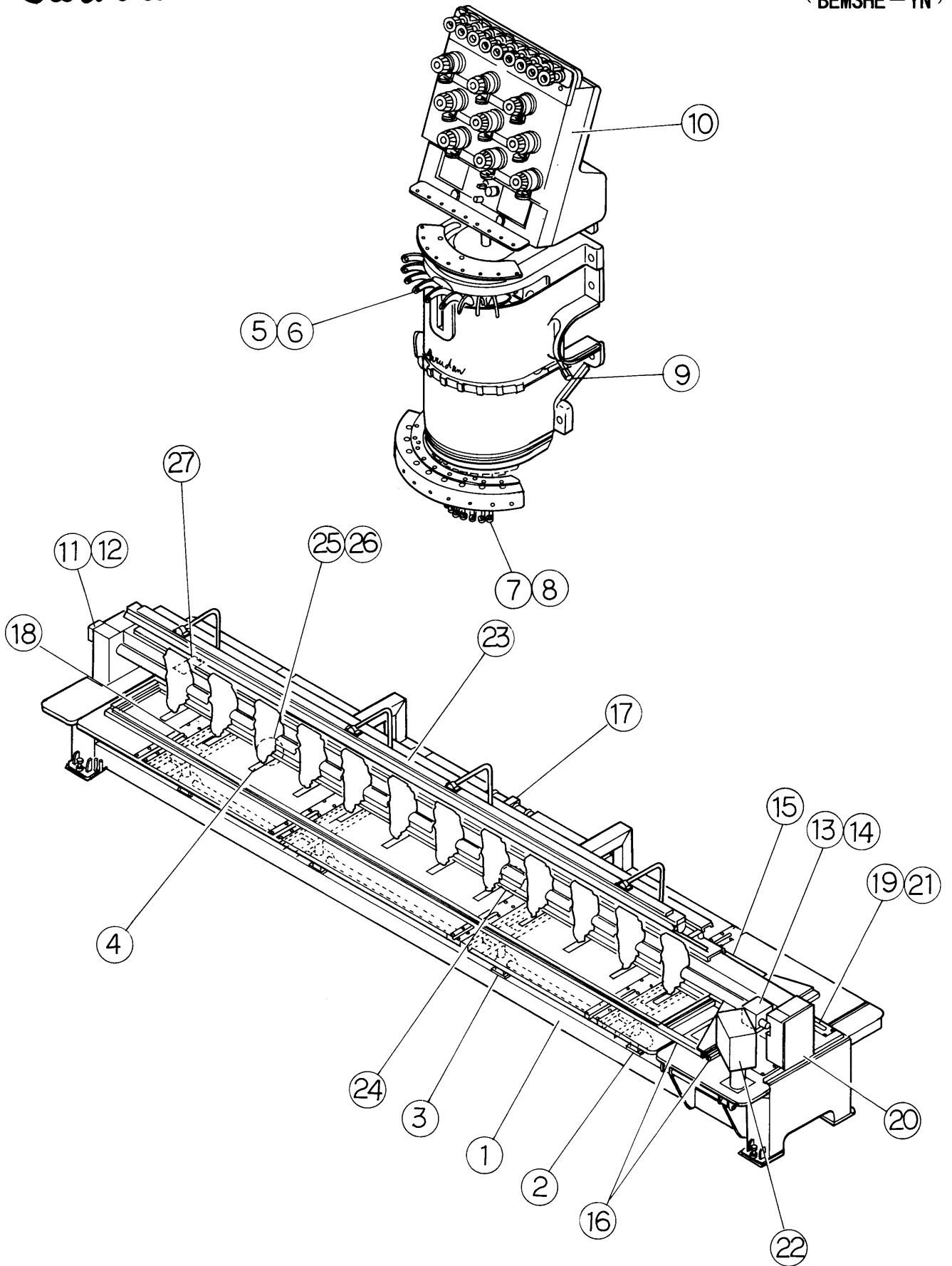
#### C O N T E N T S

ITEM No.	Page No.
Machine layout ( BEMRHE-YN BEMSHE-YN ) .....	1
① Table • Frame a' ssy .....	2
② Table lifter mechanism I (Master machine) .....	6
③ Table lifter mechanism II (Sub machine) .....	8
④ Bed a' ssy .....	1 0
⑤ Take up lever a' ssy I .....	1 2
⑥ Take up lever a' ssy II .....	1 4
⑦ Needle bar a' ssy I .....	1 6
⑧ Needle bar a' ssy II .....	1 8
⑨ Jump a' ssy .....	2 0
⑩ Thread guide mechanism .....	2 2
⑪ Drive a' ssy I .....	2 4
⑫ Drive a' ssy II .....	2 6
⑬ Color change mechanism I .....	2 8
⑭ Color change mechanism II .....	3 0
⑮ Pantograph drive mechanism I (V • H-Direction) .....	3 2
⑯ Pantograph drive mechanism II (V • H-Direction) .....	3 4
⑰ Pantograph drive mechanism III (H-Direction) .....	3 8
⑱ Pantograph drive mechanism IV (H-Direction) .....	4 0
⑲ Pantograph drive mechanism V (V-Direction) .....	4 2
⑳ Pantograph drive mechanism VI (V-Direction) .....	4 4
㉑ Pantograph drive mechanism VII (V-Direction) .....	4 6
㉒ Control system <BEMRHE-YN>.....	4 8
㉒ Control system <BEMSHE-YN>.....	5 0
㉓ Option .....	5 2
㉔ Thread cutting mechanism I .....	5 4
㉕ Thread cutting mechanism II .....	5 6
㉖ Thread cutting mechanism III .....	5 8
㉗ Thread cutting drive mechanism .....	6 0
㉘ Thread guide mechanism (Lower thread sensorium) .....	6 2
INDEX .....	6 4



Barudan

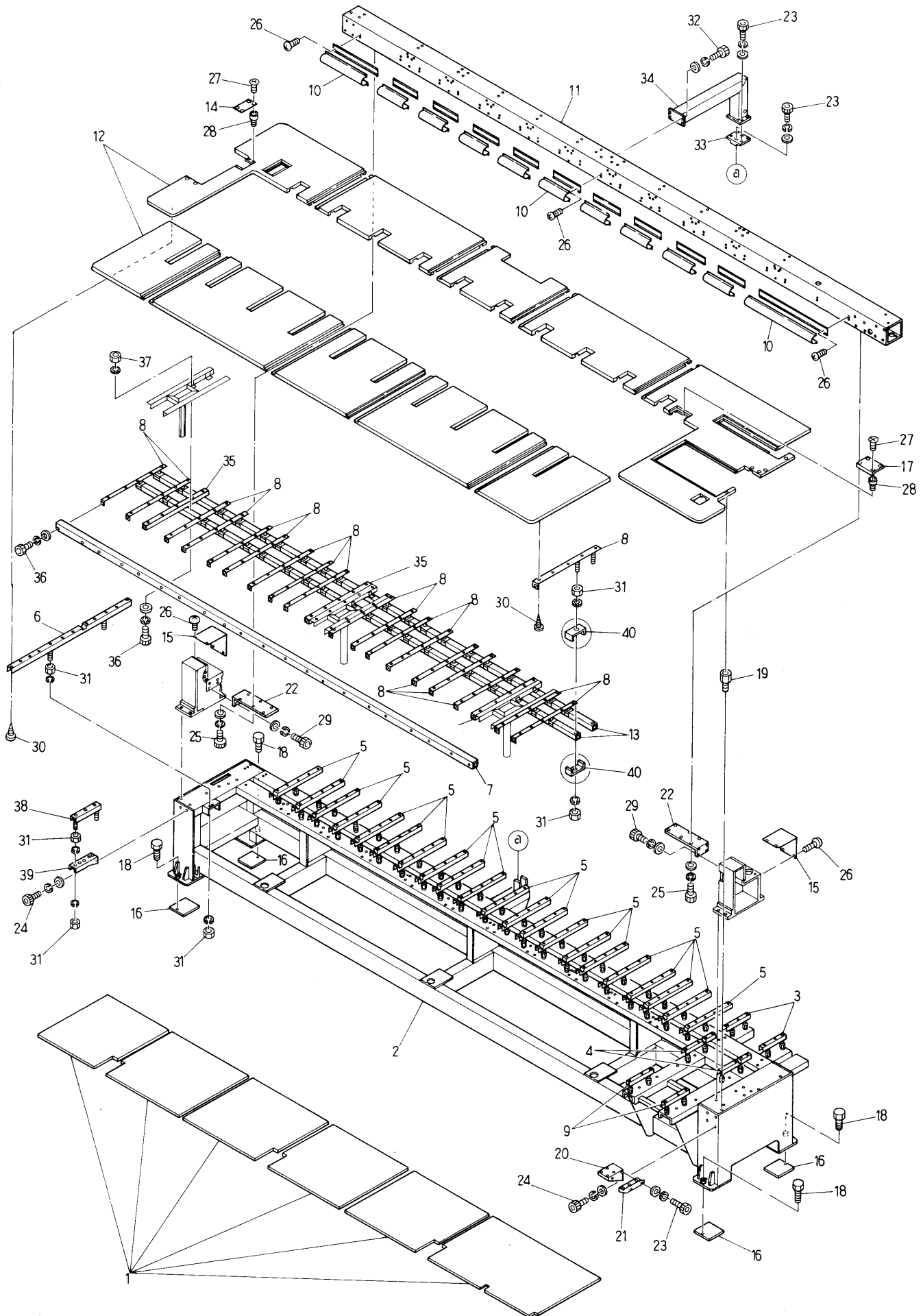
Machine layout ( BEMRHE-YN  
BEMSHE-YN )



BEMRHE-YN  
BEMSHE-YN

MODEL BEMRHE-YN  
BEMSHE-YN

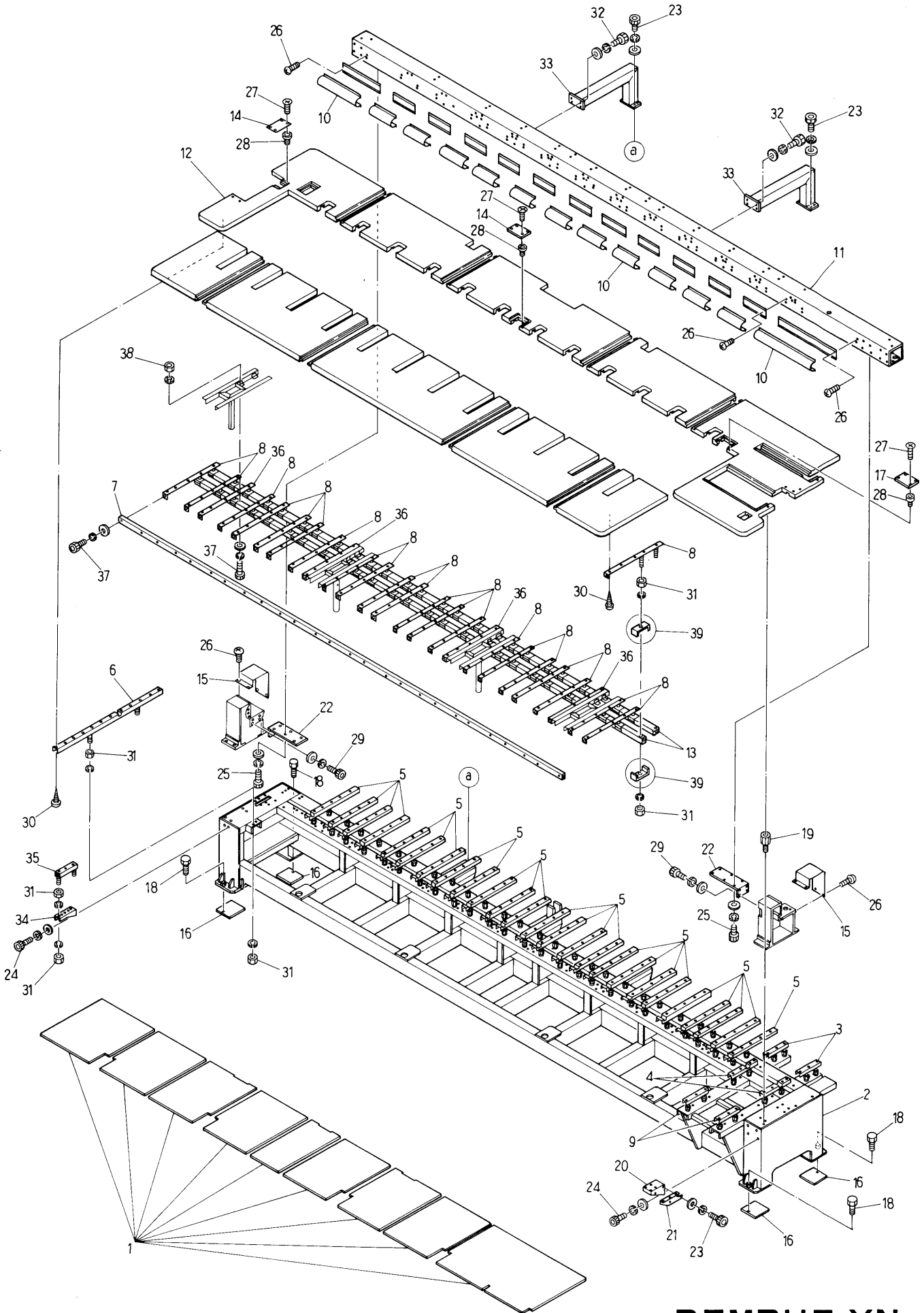
From the library of: Diamond Needle Corp



From the library of: Diamond Needle Corp

① Table · Frame a' ssy (BEMSHE-YN-10)

ITEM	LIST No.	DESCRIPTION	Q'TY	REMARK
1	1KHS1052052045H	Shelf board (BEMSHE-YS-10, 450×520/520)	1	
2	1AHS1052052045H	Frame (BEMSHE-YS-10, 450×520/520)	1	
3	HS140170	Table support (300L)	2	
4	HS140140	Table support (380L)	2	
5	HS140160	Table support (605L)	2	1
6	HS140150	Table support (1500L)	1	
7	HS140680	Table support (Front) (BEMSHE-YS-10, 450×520/520)	1	
8	HS140290	Table support [1] R	1	9
9	HS140010	Table support (310L)	2	
10	1SHS10520520K	Upper shaft cover set (MSHE-10, P520/520)	1	
11	1EHS1052052045H	Bridge (BEMSHE-YS-10, 450×520/520)	1	
12	1BHS1052052045H	Table (BEMSHE-YS-10, 450×520/520)	1	
13	HS140690	Table support (Rear) (BEMSHE-YS-10, 450×520/520)	2	
14	HP321110	Lower shaft connecting coupling cover	1	
15	HB310180	Bridge cover	2	
16	HP120030	Base plate (200×200×t1)	4	
17	HS510000	Position corder cover (BEMSHE)	1	
18		Hex, bolt M20×65		
19	HP140170	Table support bolt	3	
20	HP512320	Controller fixing stay	1	
21	HP14013045	Table support R (Front) (360L) (MSHE)	1	
22	HP130020	Bridge support	2	
23		Hex, socket bolt M8×20		
24		Hex, socket bolt M8×30		
25		Hex, socket bolt M10×40		
26		Truss screw M5×10		
27		Flush screw M4×8		
28		Nut (C) M4		
29		Hex, socket bolt M10×30		
30		Flush wood screw 5.1×25		
31		Hex, nut 3/8		
32		Hex, socket bolt M8×25		
33	HB130040	Bridge support base (Center)	1	
34	HB13001180	Bridge support (Center) for H stroke 800	1	
35	HS140540	Table support [1] L	3	
36		Hex, socket bolt M8×70		
37		Hex, nut M8		
38	HP140111	Table support (310L)	1	
39	HP140120	Table support bracket	1	
40	HS140560	Table support fixing bracket	8	8



From the library of: Diamond Needle Corp

MODEL **BEMRHE-YN**  
**BEMSHE-YN**

① Table・Frame assembly (BEMSHE-YN-12)

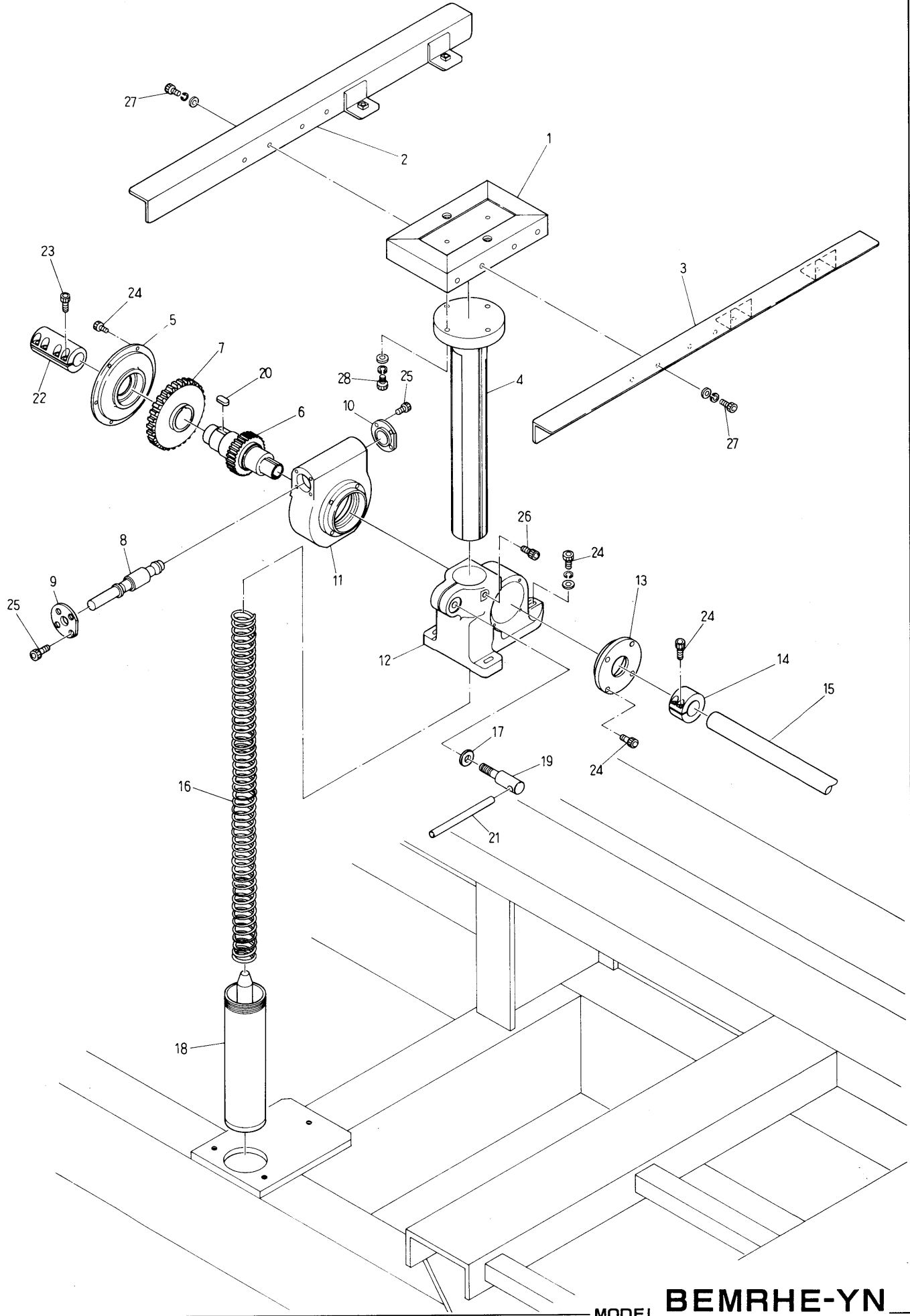
ITEM	LIST No	DESCRIPTION	QTY	REMARK
1	1KHS1252052045H	Shelf board (BEMSHE-YS-12, 450×520/520)	1	
2	1AHS1252052045H	Frame (BEMSHE-YS-12, 450×520/520)	1	
3	HS 1 4 0 1 7 0	Table support (300L)	2	
4	HS 1 4 0 1 4 0	Table support (380L)	2	
5	HS 1 4 0 1 6 0	Table support (605L)	2 5	
6	HS 1 4 0 1 5 0	Table support (1500L)	1	
7	HS 1 4 0 5 9 0	Table support (Front) (BEMSHE-YS-12, 450×520/520)	1	
8	HS 1 4 0 2 9 0	Table support [ 1 ] R	2 2	
9	HS 1 4 0 0 1 0	Table support (310L)	2	
1 0	1SHS12520520K	Upper shaft cover set (MSHE-12, P520/520)	1	
1 1	1EHS1252052045H	Bridge (BEMSHE-YS-12, 450×520/520)	1	
1 2	1BHS1252052045H	Table (BEMSHE-YS-12, 450×520/520)	1	
1 3	HS 1 4 0 5 8 0	Table support (Rear) (BEMSHE-YS-12, 450×520/520)	2	
1 4	HP 3 2 1 1 1 0	Lower shaft connecting coupling cover	1	
1 5	HS 1 3 0 0 1 0	Bridge cover	2	
1 6	HP 1 2 0 0 3 0	Base plate (200×200×t1)	4	
1 7	HS 5 1 0 0 0 0	Position corder cover (BEMSHE)	2	
1 8		Hex, bolt M20×65		
1 9	HP 1 4 0 1 7 0	Table support bolt	3	
2 0	HP 5 1 2 3 2 0	Controller fixing stay	1	
2 1	HP 1 4 0 1 3 0 4 5	Table support R (Front) (360L) (MSHE)	1	
2 2	HP 1 3 0 0 2 0	Bridge support	2	
2 3		Hex, socket bolt M8×20		
2 4		Hex, socket bolt M8×30		
2 5		Hex, socket bolt M10×40		
2 6		Truss screw M5×10		
2 7		Flush screw M4×8		
2 8		Nut (C) M4		
2 9		Hex, socket bolt M10 ×30		
3 0		Flush wood screw 5.1×25		
3 1		Hex, nut 3/8		
3 2		Hex, socket bolt M8×25		
3 3	HS 1 3 0 0 0 0	Bridge support base (Center)	2	
3 4	HP 1 4 0 1 2 0	Table support bracket	1	
3 5	HP 1 4 0 1 1 1	Table support (310L)	1	
3 6	HS 1 4 0 5 4 0	Table support [ 1 ] L	4	
3 7		Hex, socket bolt M8×70		
3 8		Hex, nut M8		
3 9	HS 1 4 0 5 6 0	Table support fixing bracket	1 0 4	

From the library of: Diamond Needle Corp



Barudan

② Table lifter mechanism I (Master machine)



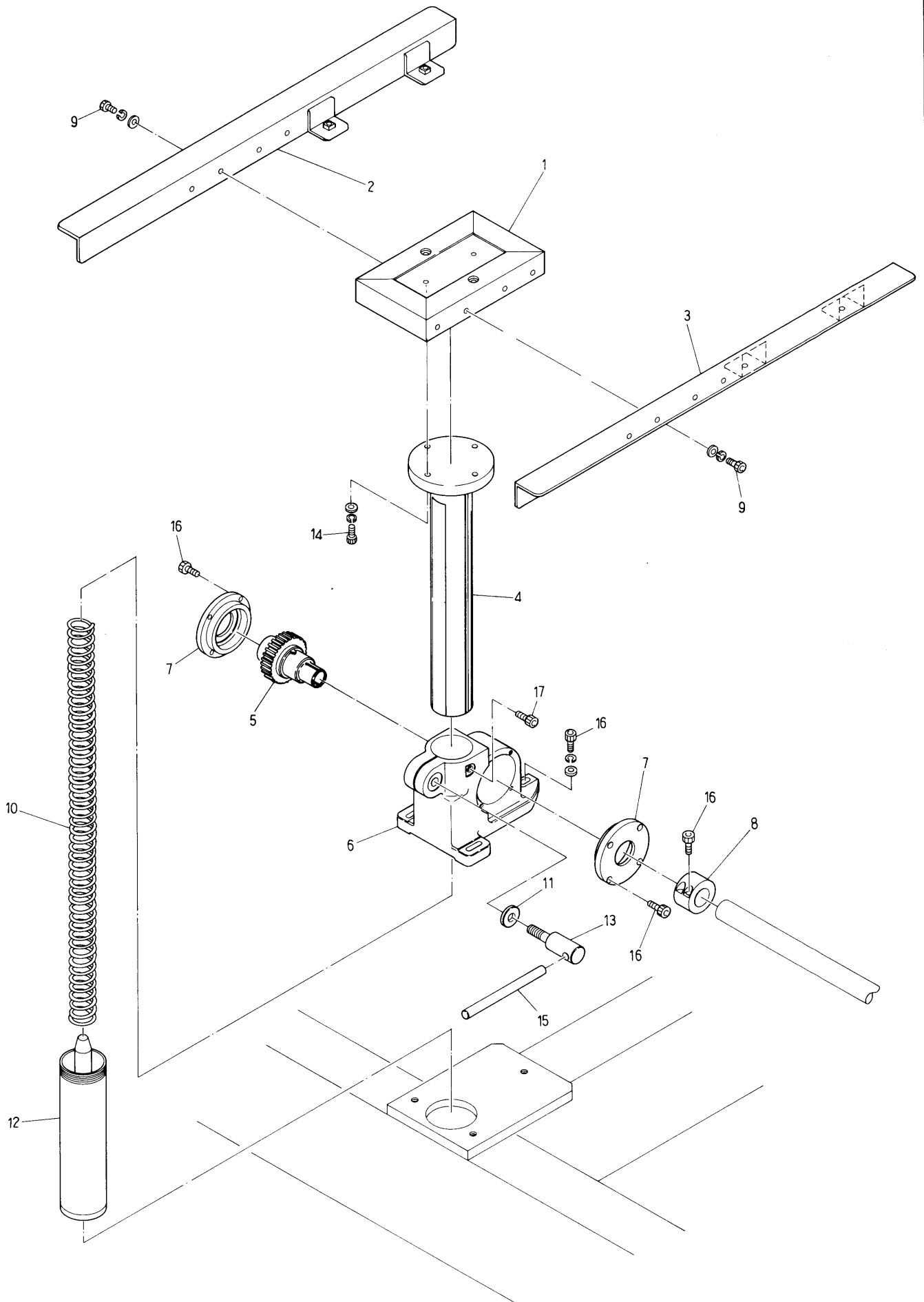
From the library of: Diamond Needle Corp

MODEL **BEMRHE-YN**  
**BEMSHE-YN**



Barudan

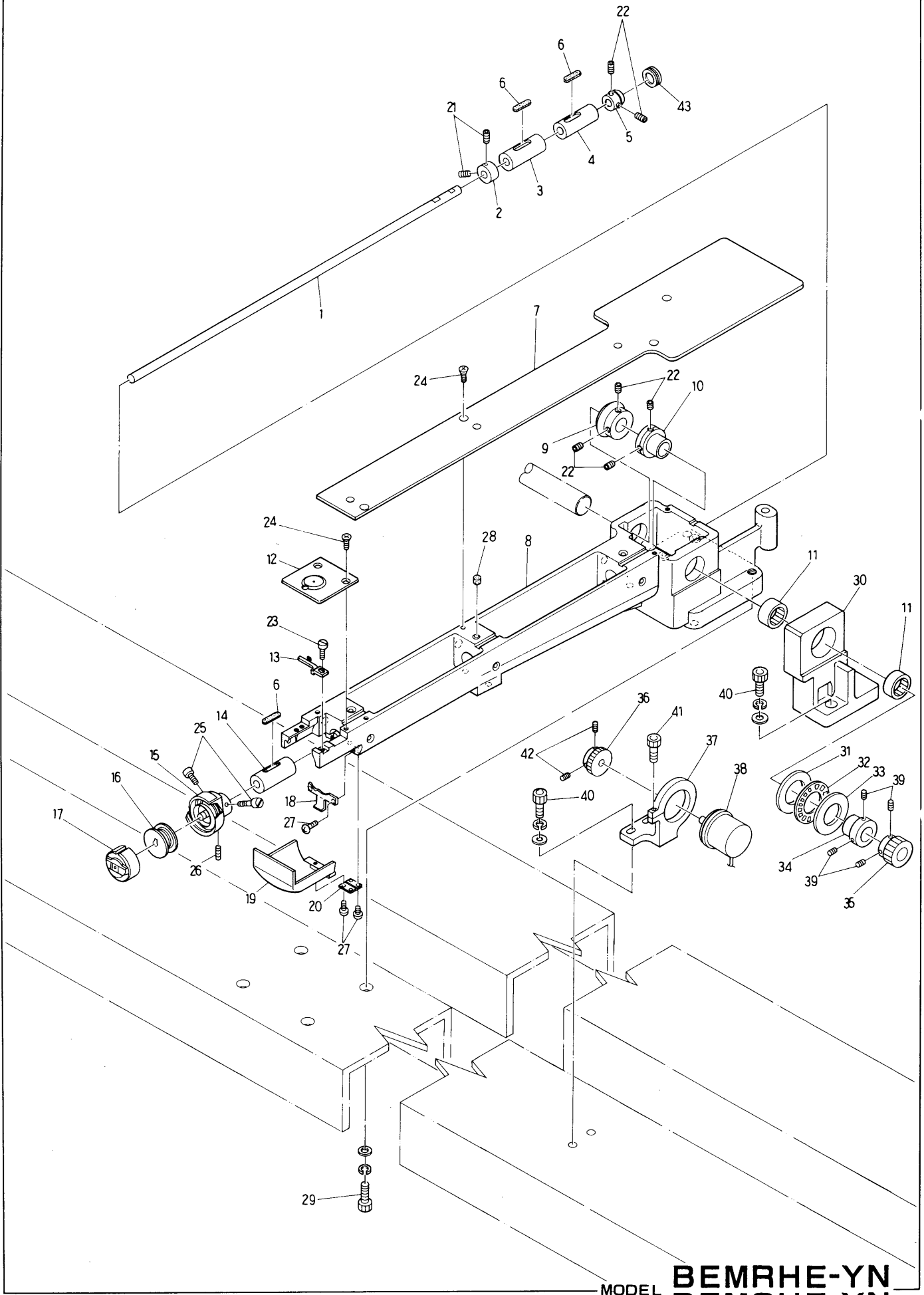
③ Table lifter mechanism II (Sub machine)



From the library of: Diamond Needle Corp

MODEL **BEMRHE-YN**  
**BEMSHE-YN**





From the library of: Diamond Needle Corp

MODEL **BEMRHE-YN**  
**BEMSHE-YN**

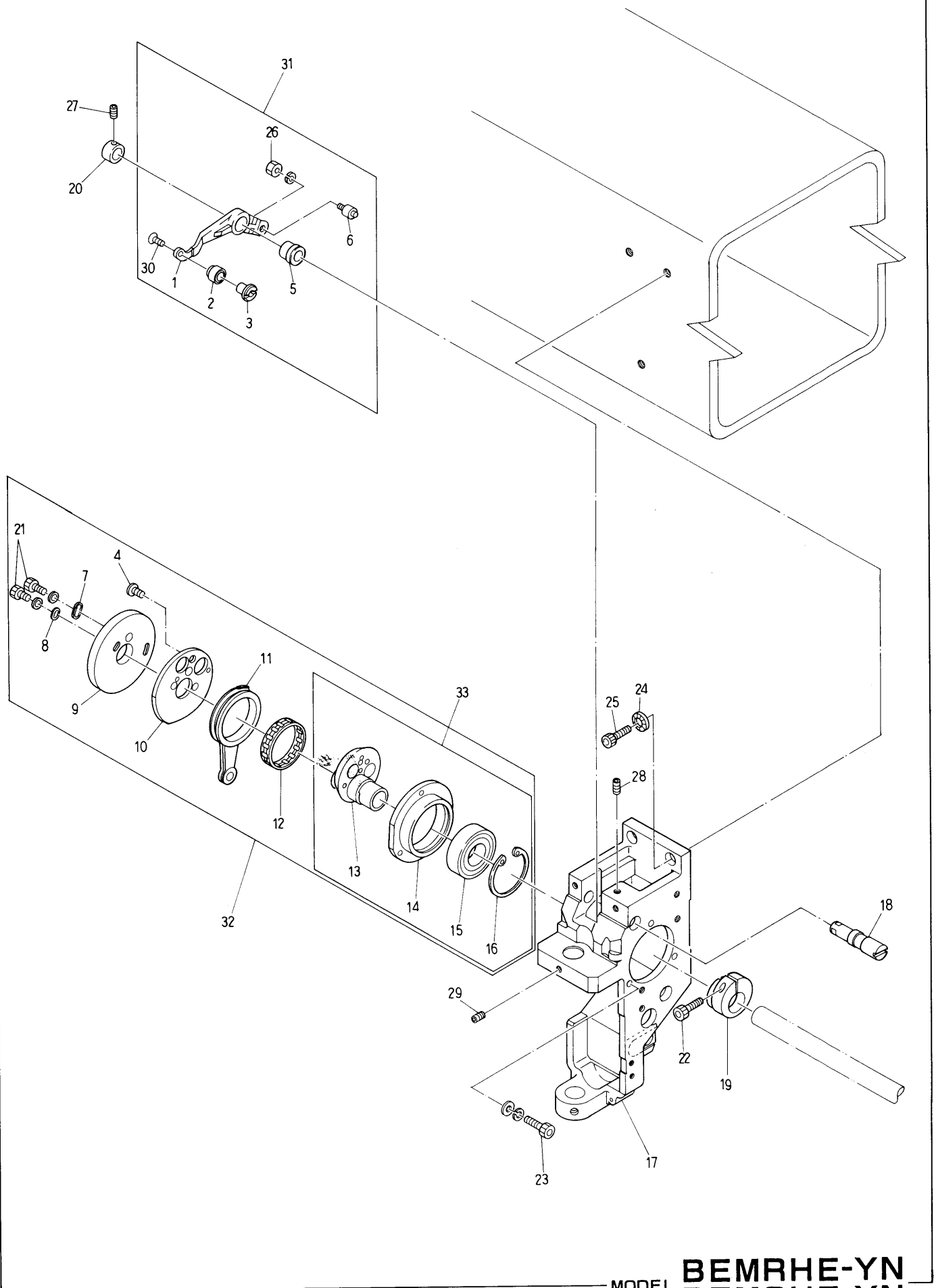
## ④ Bed a' ssy

(H=Head Q' TY)

ITEM	LIST No	DESCRIPTION	Q' TY	REMARK
1	HS 2 1 0 0 2 0	Lower shaft	H×1	
2	HP 2 2 0 6 8 0	Lower shaft collar	H×1	
3	KF 2 2 0 2 3 0	Lower shaft metal (Front)	H×1	
4	KF 2 2 0 2 2 0	Lower shaft metal (Rear)	H×1	
5	HP 2 2 0 7 1 2	Lowcr shaft gear (S)	H×1	
6	KL 2 2 0 1 4 0	Oil felt C (5×25×20)	H×3	
7	HS 2 1 0 0 4 0	Bed cover	H×1	
8	HS 2 1 0 0 1 1	Barrel bed	H×1	
9	HP 3 2 1 0 8 2	Lower connecting gear (L)	H×1	
10	HP 3 2 1 0 9 0	Lower shaft collar	H×1	
11	A 9 0 1 1 1 1 1	Needle bearing (TLA-2012Z)	H×2	
12	MA 2 5 0 1 3 1	Throat plate	H×1	
13	KC 2 2 0 6 5 0	Rotating hook bobbin case holder position bracket	H×1	
14	KF 2 2 0 2 4 0	Verlical shaft metal (Upper)	H×1	
15	HB 2 2 0 0 1 0	Rotating hook HSM-A(M2QTS)	H×1	
16	KF 2 2 0 4 2 1	Bobbin HSM(DBM)	H×1	
17	KF 2 2 0 3 0 2	Bobbin case BC-DBM (Z2)-NBL5	H×1	
18	KC 2 5 0 4 8 2	Barrel bed cover push spring	H×1	
19	HS 2 1 0 0 3 0	Barrel bed cover	H×1	
20	A 9 0 1 2 0 2 7	Butterfly nut (TH-TM-72)	H×1	
21		Hex, socket bolt M4×5		
22		Hex, socket bolt M5×6		
23	A 9 0 1 2 0 0 7	Screw (SM11/64 40×10) Cylinder	H×1	
24	KF 2 5 0 9 0 0	Throat set screw (SM11/64 40×7)	H×6	
25		Screw (SM11/64 40×5)		
26		Screw (SM11/64 40×4)		
27		Pan screw M3×6		
28	KL 2 2 0 1 2 0	Oil felt A	H×3	
29		Hex, socket bolt M8×25		
30	HB 3 2 0 0 3 0	Rotating hook shaft connecting bearing housing(middle)	1	
31	A 9 0 1 0 1 0 1	Thrust bearing (WS81104)	1	
32	A 9 0 1 0 1 0 0	Thrust bearing (AXK1104)	1	
33	A 9 0 1 0 1 0 2	Thrust bearing (GS81104)	1	
34	HH 4 8 1 9 7 0	Pulse motor connecting shaft collar	1	
35	HP 3 2 1 7 1 0	Encoder drivlng gear No 1	1	
36	HP 3 2 1 7 2 0	Encoder drivlng gear No 2	1	
37	HP 3 3 1 9 2 2	Encoder support	1	
38	KN 5 1 1 0 2 0	Position corder (for machine 051)	1	
39		Hex, socket set screw M5×6		
40		Hex, socket bolt M5×18		
41		Hex, socket set screw M4×18		
42		Hex, socket set screw M4×8		
43	A 9 0 1 4 0 5 9	Grommet MG (MG-1)	H×1	

Barudan

⑤ Take up lever a'ssy I



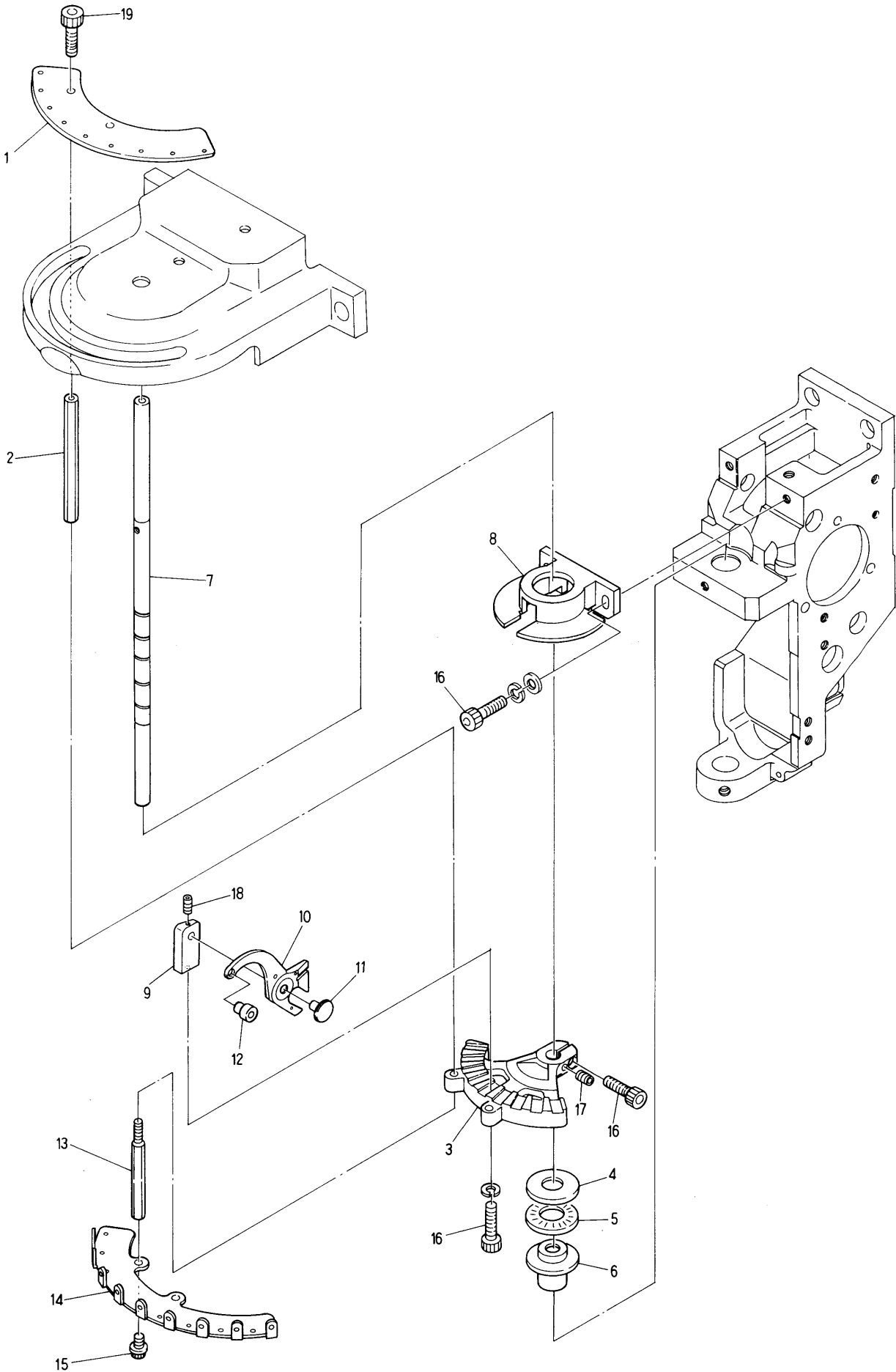
From the library of: Diamond Needle Corp





Barudan

⑥ Take up lever a'ssy II



From the library of: Diamond Needle Corp





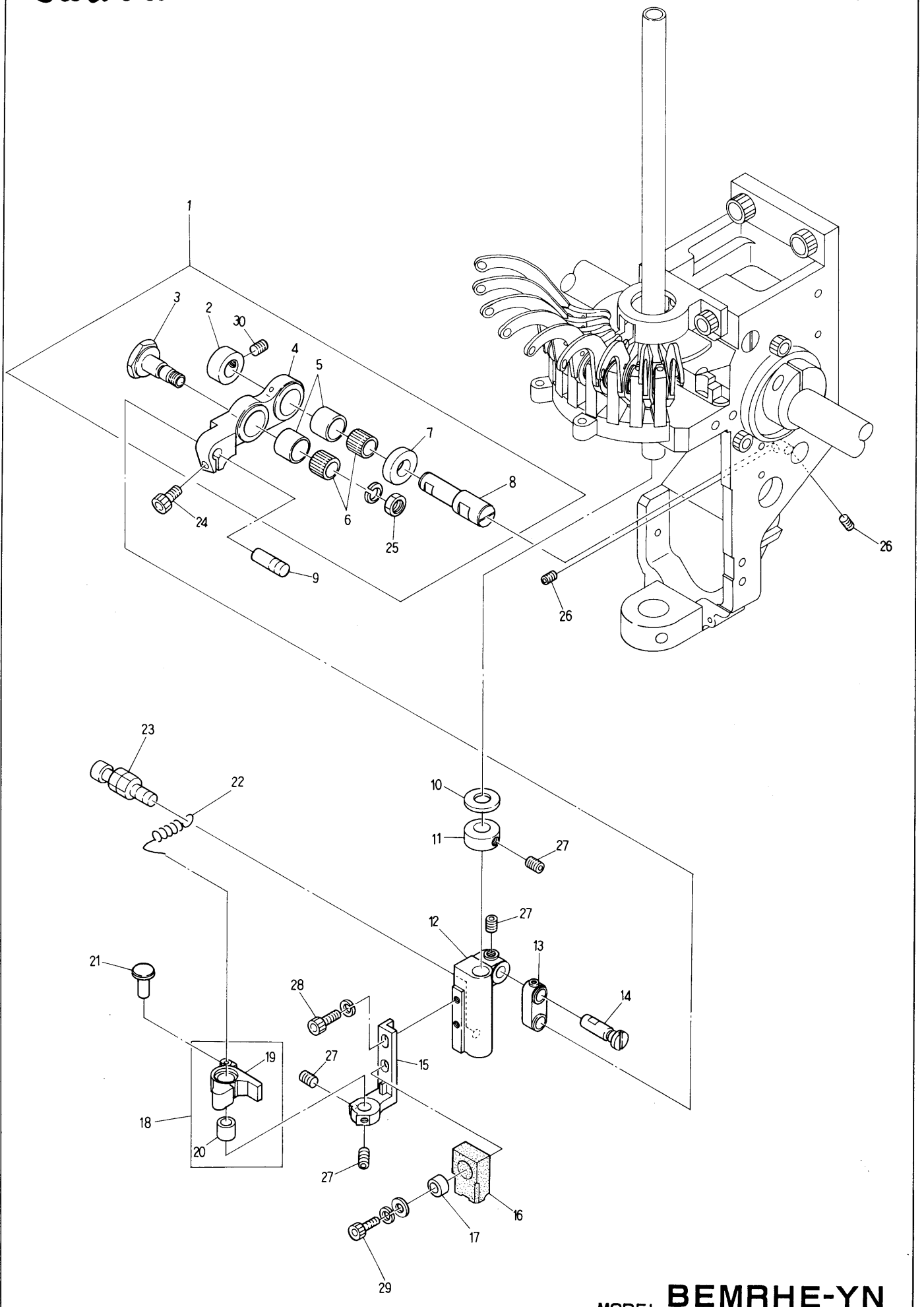
## ⑦ Needle bar a'ssy I

(H=Head Q'TY)

ITEM	LIST No	DESCRIPTION	Q'TY	REMARK
1		Turret plate a'ssy	H×1	
2	HT230130	Needle bar cap	H×9	
3	HB230190	Lock lever shaft	H×1	
4	KF230640	Lock connecting bar clamp	H×1	
5	KC330410	Lock connecting rod L=2000	3	
6	A9012053	Hex, socket set screw M6×0.7×8	H×2	
7	HT230190	Needle bar a'ssy	H×9	
8	HT230250	Needle bar spring (Upper)	H×9	
9	HT230141	Pressure foot	H×9	
10	KF230910	O-Ring (Large)	H×9	
11	HT230120	Washer 2.4	H×9	
12	KF230230	Needle clamp	H×9	
13	KF230250	Needle (DBK5-11)	H×9	
14	KF230240	Needle clamp screw (SM9/64)	H×9	
15	HT230000	Turret plate	H×1	
16	HT230110	Turret plate oil pad	H×1	
17	A9014055	O-Ring (1AS-7)	H×18	
18	HT230061	Needle bar spring (Lower)	H×9	
19	A9012291	Parallel pin φ5H7×14L	H×1	
20	HB230170	Driving shaft fixing plate	H×1	
21	A9011023	Thrust bearing outer (GS1528)	H×2	
22	A9011021	Thrust bearing (NTB-1528)	H×2	
23	A9011022	Thrust washer (AS-1528)	H×1	
24	HB230140	Driving shaft lower metal	H×1	
25	HT230180	Turret plate joint pin	H×1	
26		Hex, socket set screw M4×4		
27		Hex, socket button bolt M4×5		
28	KF330381	Lock bar hand grip	4	
29	HB230180	Lock lever bracket	H×1	
30	KL230280	Lock lever (With roller)	H×1	
31	KF230661	Lock lever spring	H×1	
32	KF230670	Lock lever spring pin	H×1	
33		Hex, socket bolt M8×18		
34		Hex, socket set screw M6×5		
35		Hex, socket set screw M4×6		
36		Hex, socket set screw M5×5		
37		Hex, nut M4 (II)		
38		Hex, socket bolt M3×8		
39		Hex, socket bolt M3×12 (With adhesion)	H×1	
40		Hex, socket bolt M4×12 (With adhesion)	H×1	
41	HT230151	Needle bar guide	H×1	
42	HT230041	Needle bar	H×1	
43	HT230051	Cloth winder stop latch set clamp	H×1	
44		Hex, socket set screw M4×4	H×9	

Barudan

⑧ Needle bar a'ssy II

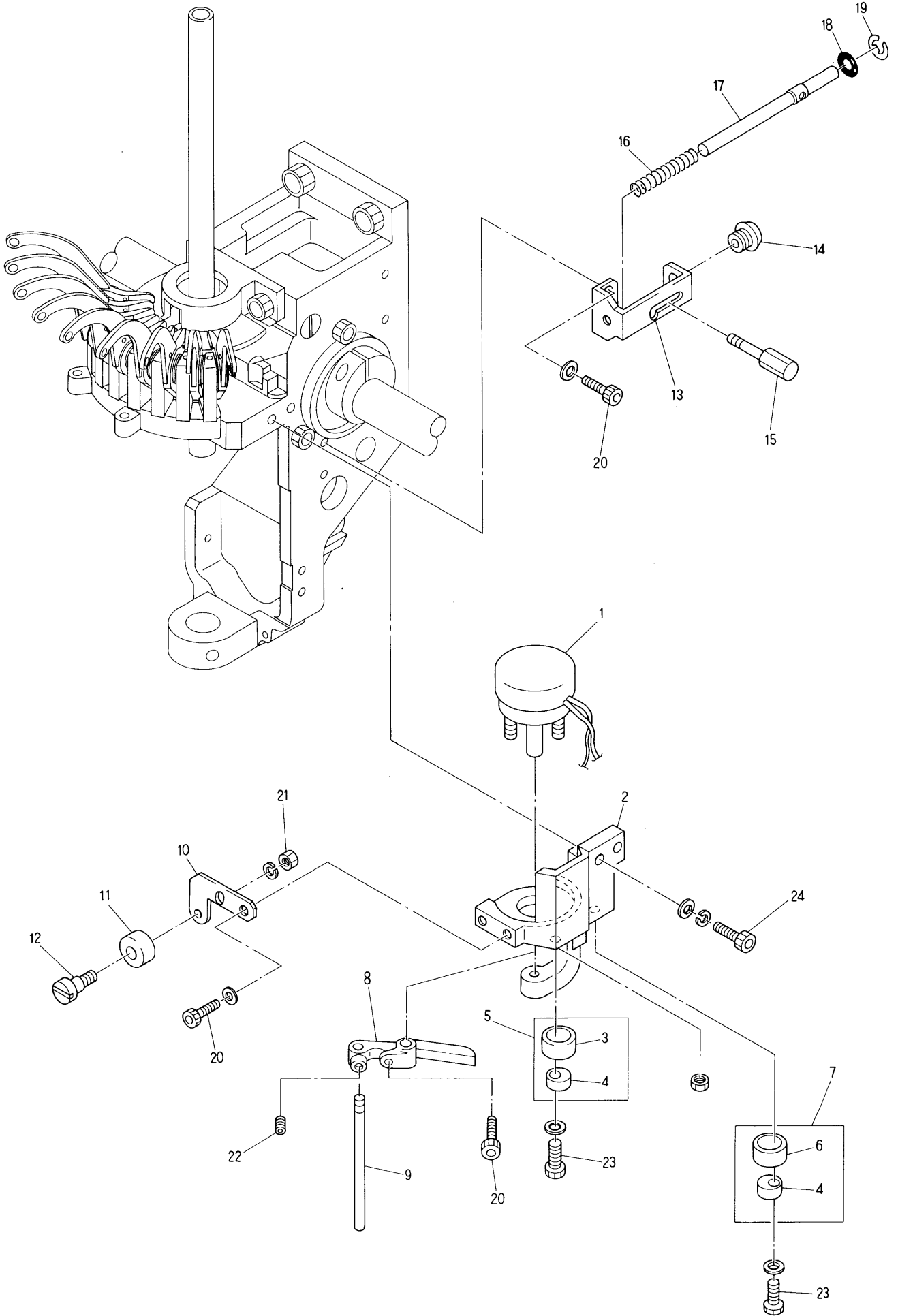


From the library of: Diamond Needle Corp



Barudan

⑨ Jump a' ssy



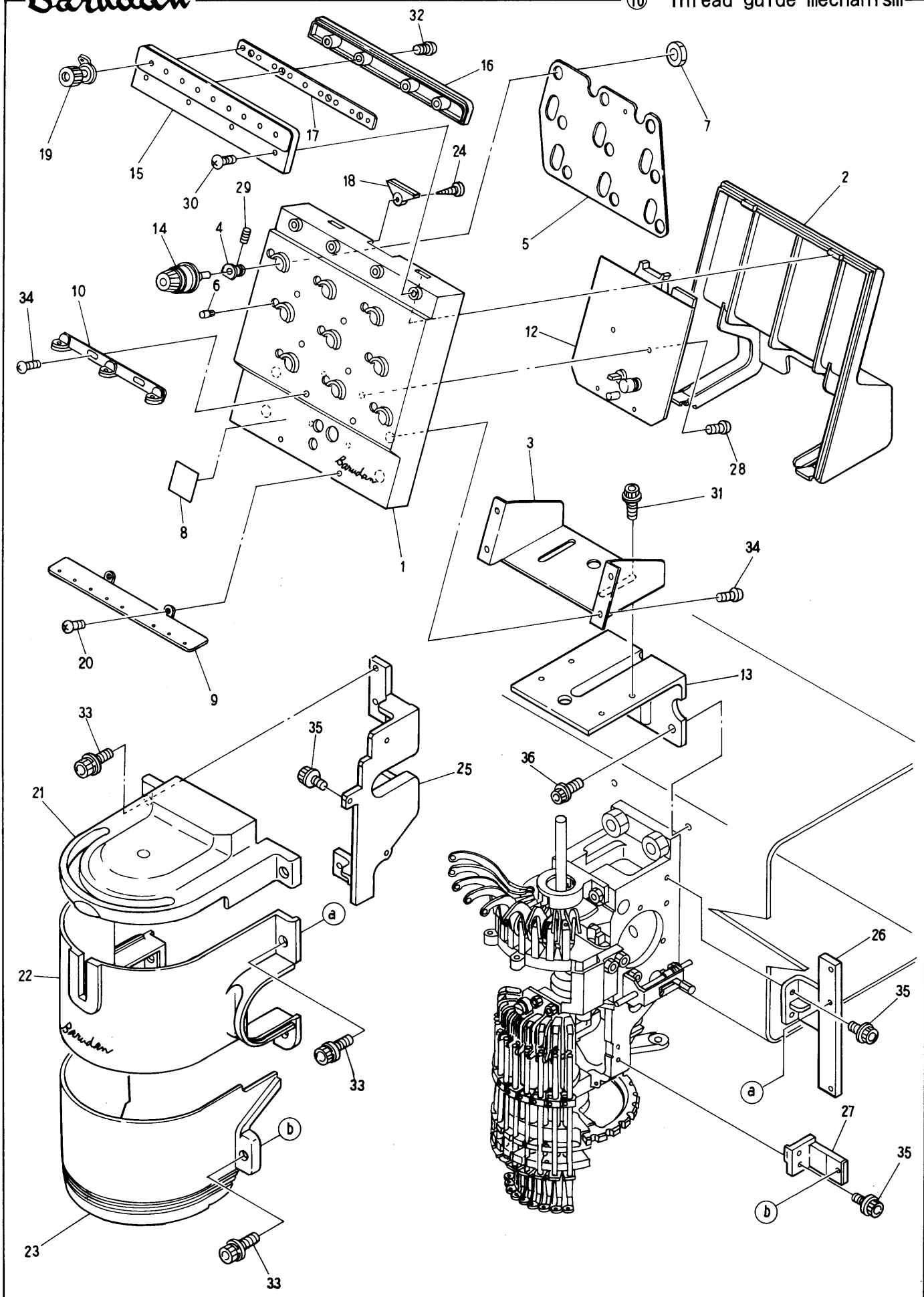
From the library of: Diamond Needle Corp





Barudan

⑩ Thread guide mechanism



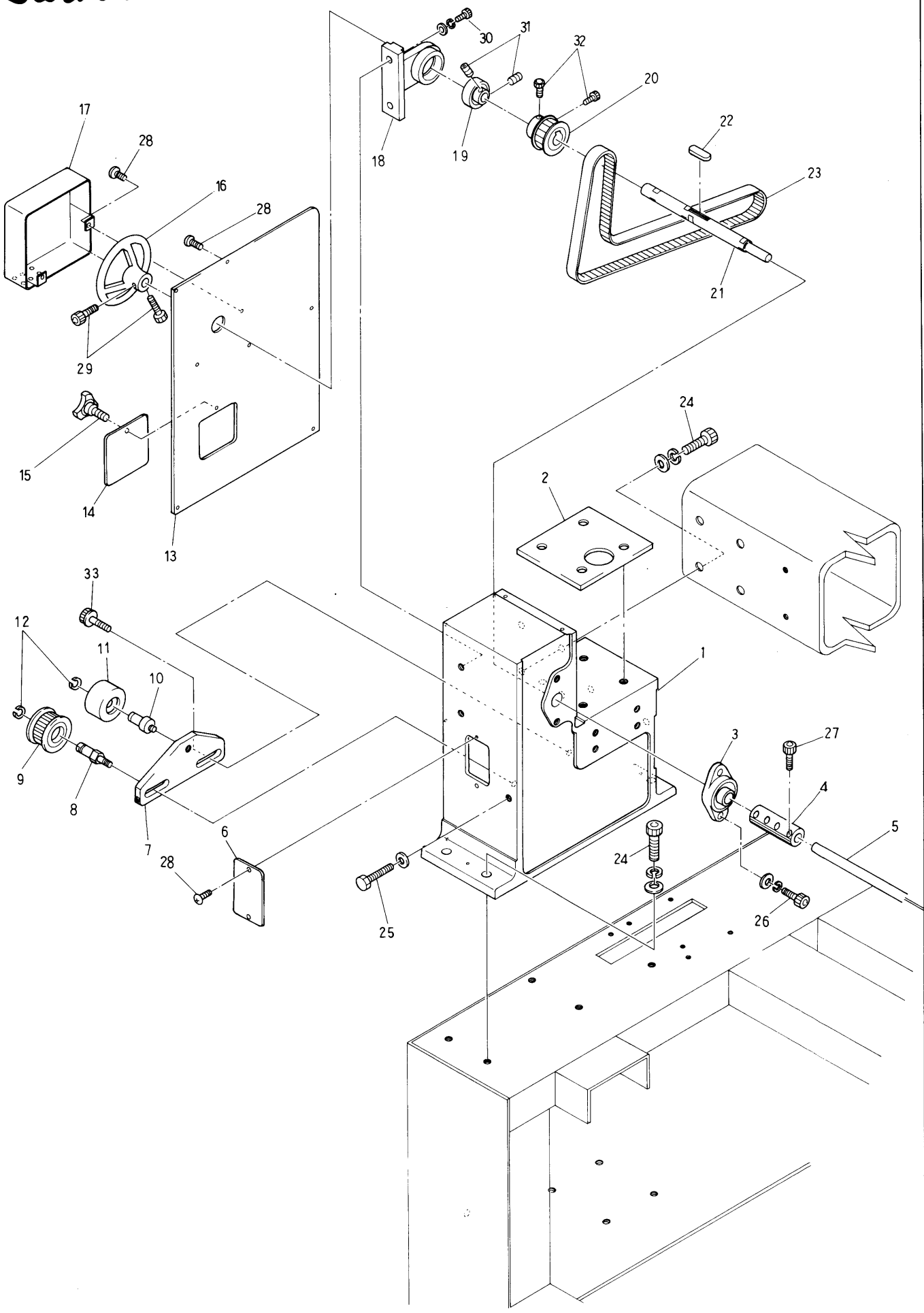
From the library of: Diamond Needle Corp

MODEL **BEMRHE-YN**  
**BEMSHE-YN**



Barudan

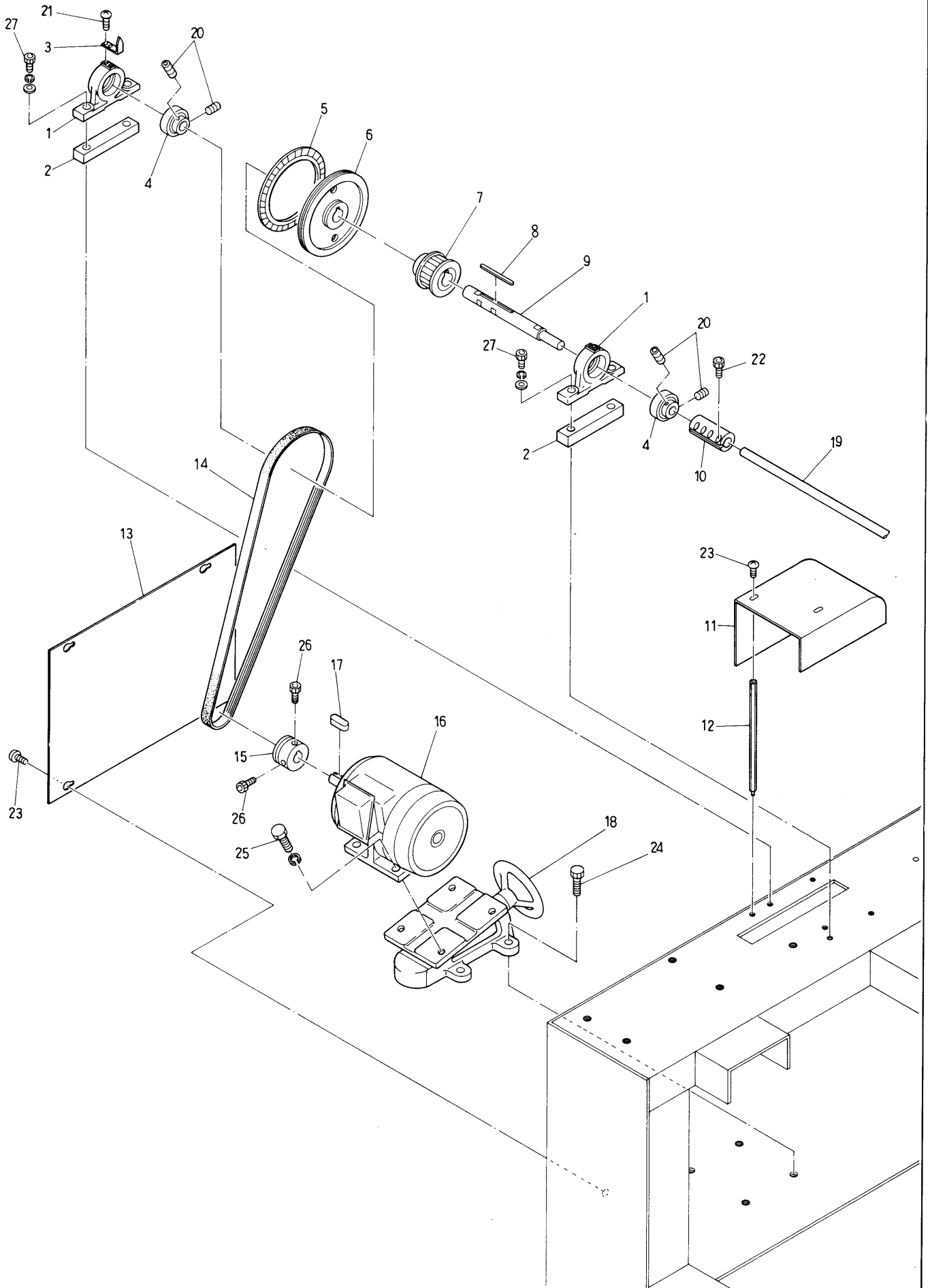
⑪ Drive a'ssy I



From the library of: Diamond Needle Corp

MODEL **BEMRHE-YN**  
**BEMSHE-YN**



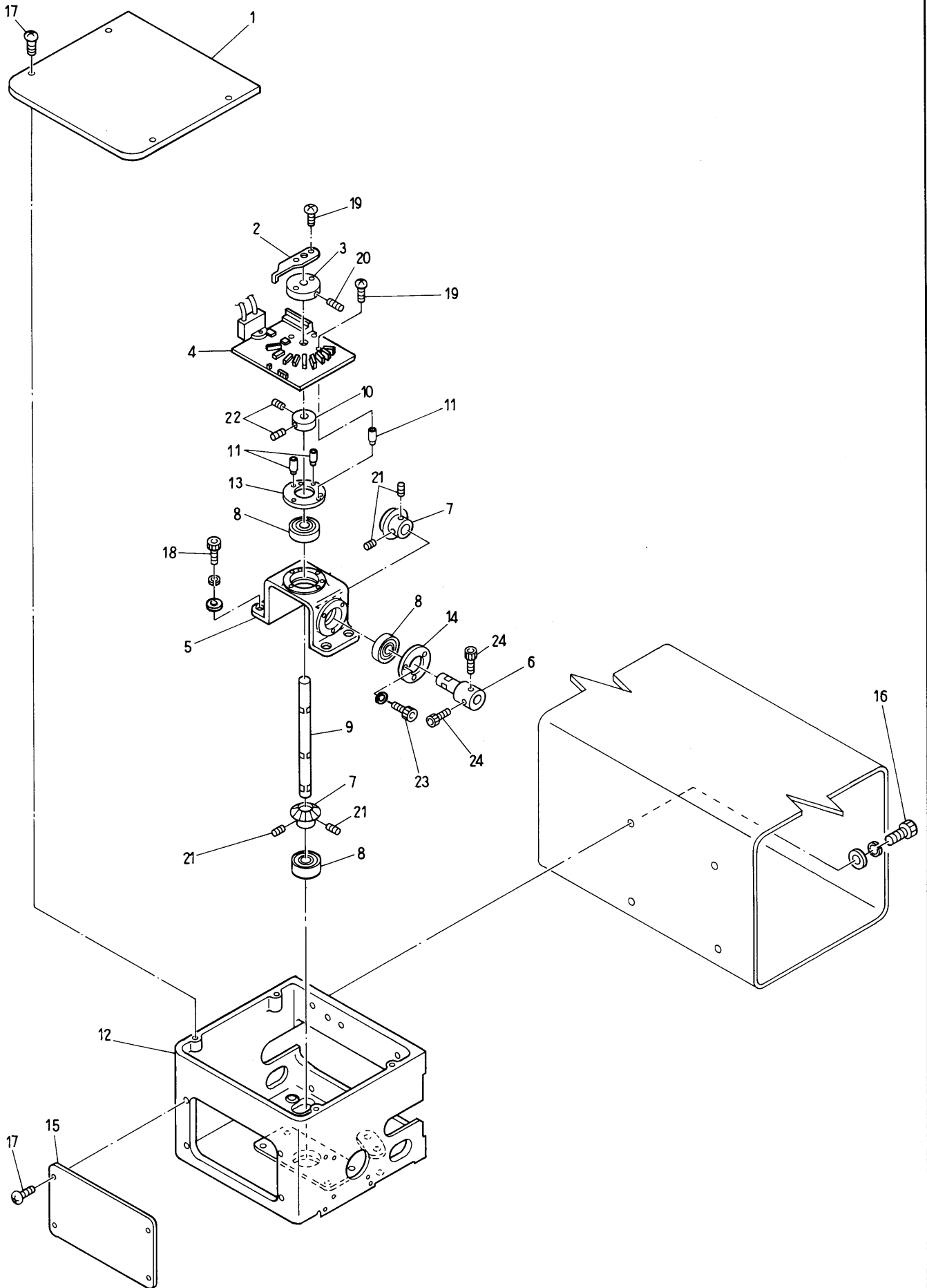


From the library of: Diamond Needle Corp



Barudan

⑬ Color change mechanism I

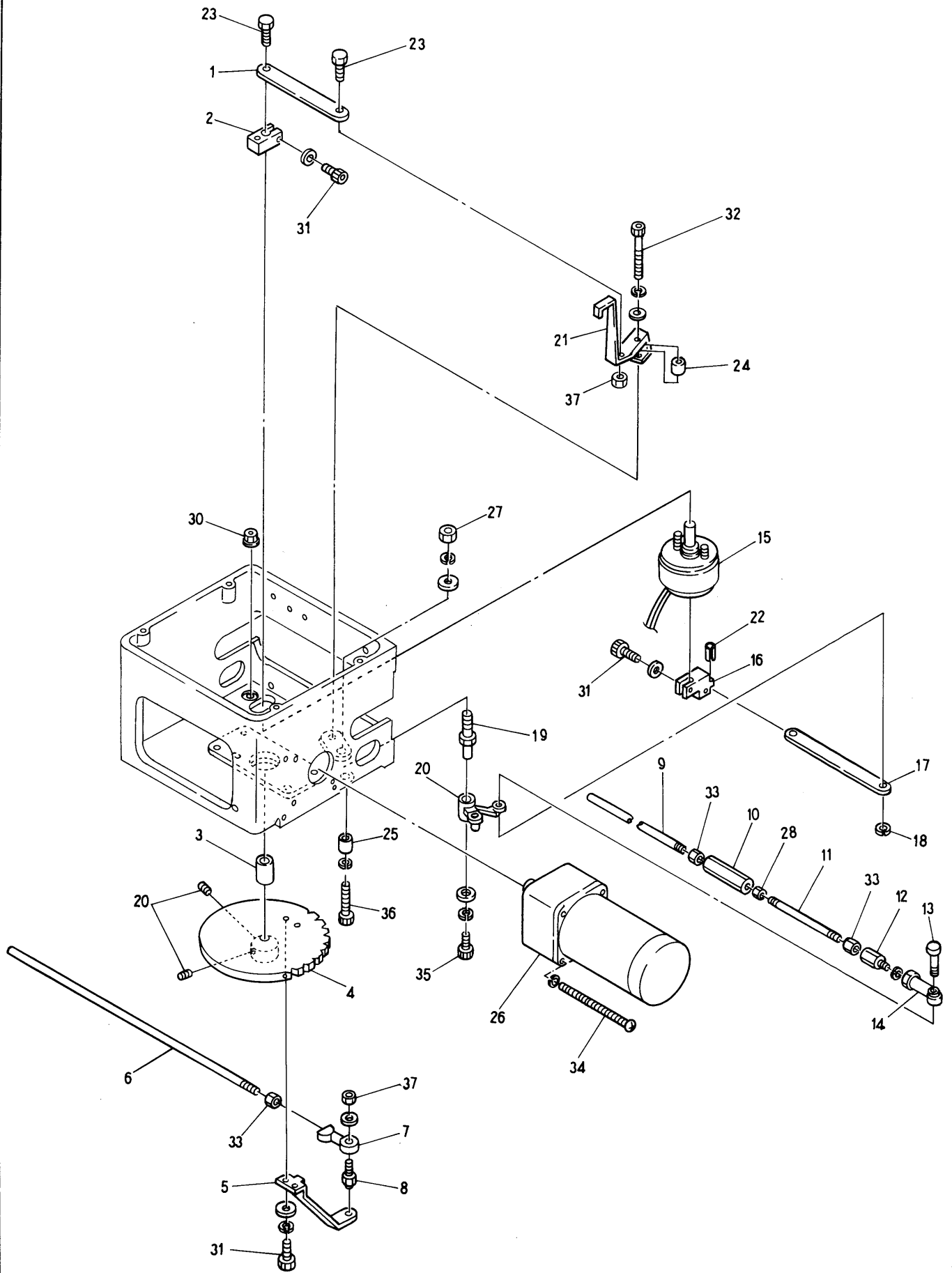


From the library of: Diamond Needle Corp

MODEL **BEMRHE-YN**  
**BEMSHE-YN**







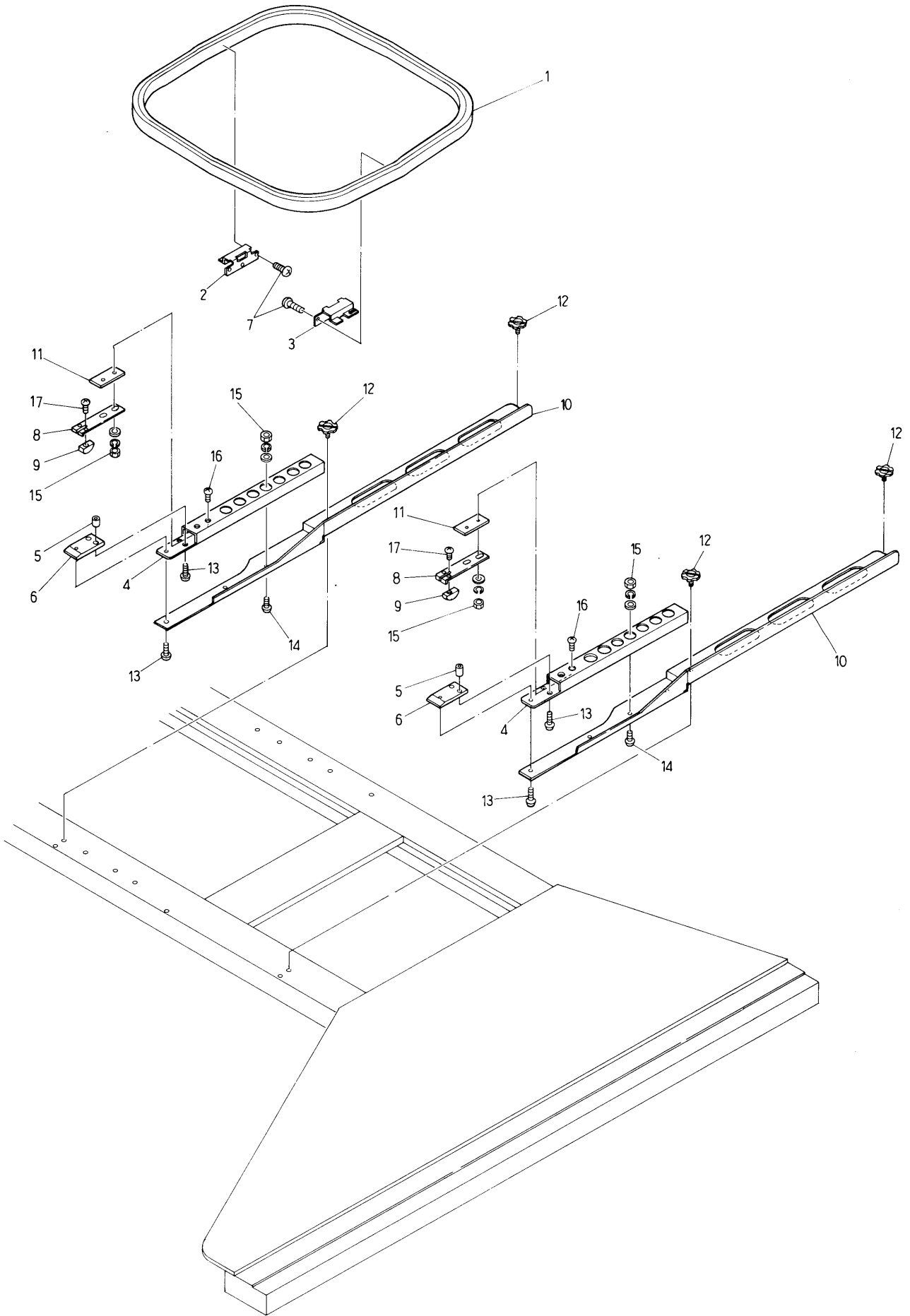
From the library of: Diamond Needle Corp

MODEL **BEMRHE-YN**  
**BEMSHE-YN**



Barudan

⑮ Pantograph drive mechanism I  
(V · H-Direction)



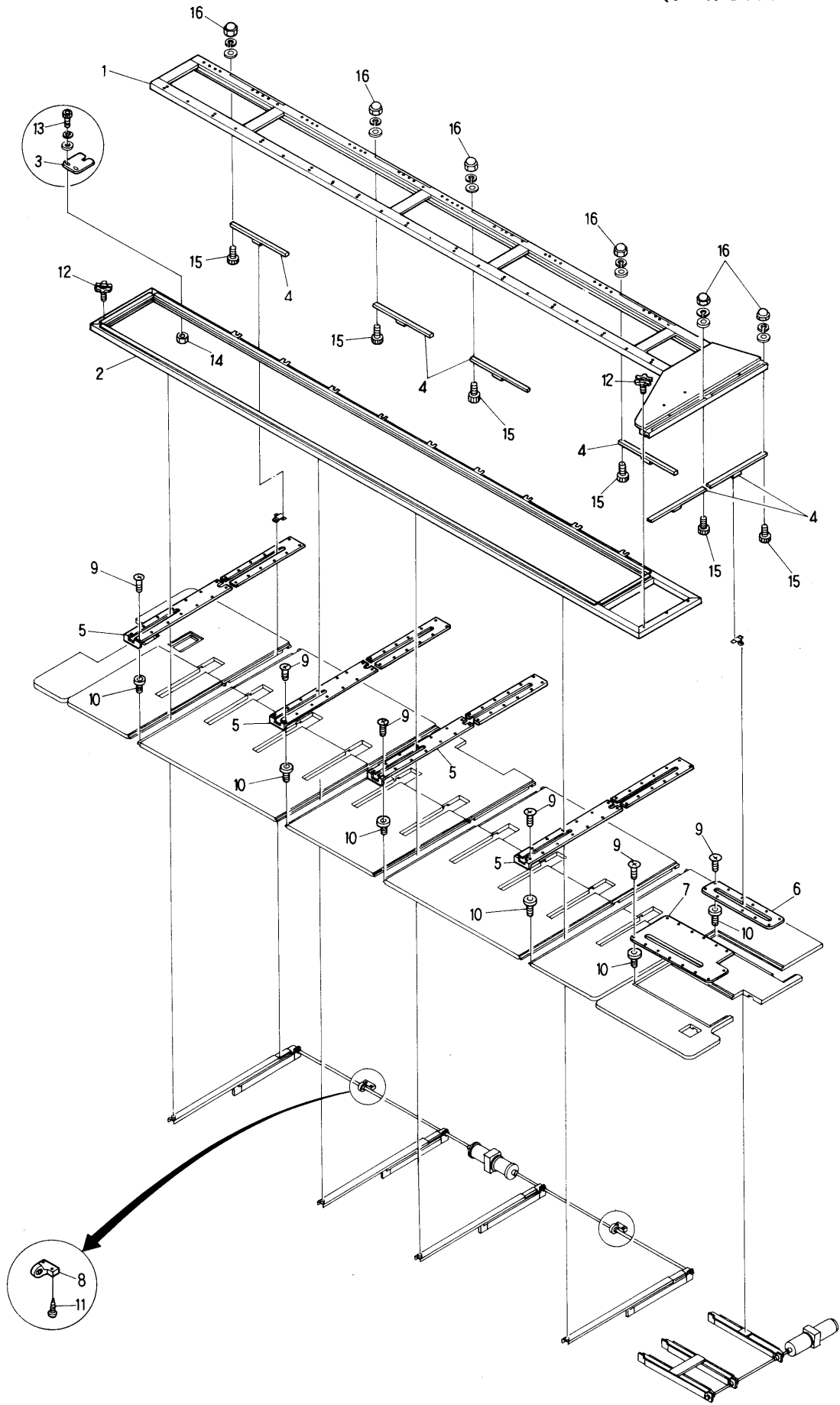
From the library of: Diamond Needle Corp

MODEL **BEMRHE-YN**  
**BEMSHE-YN**



Barudan

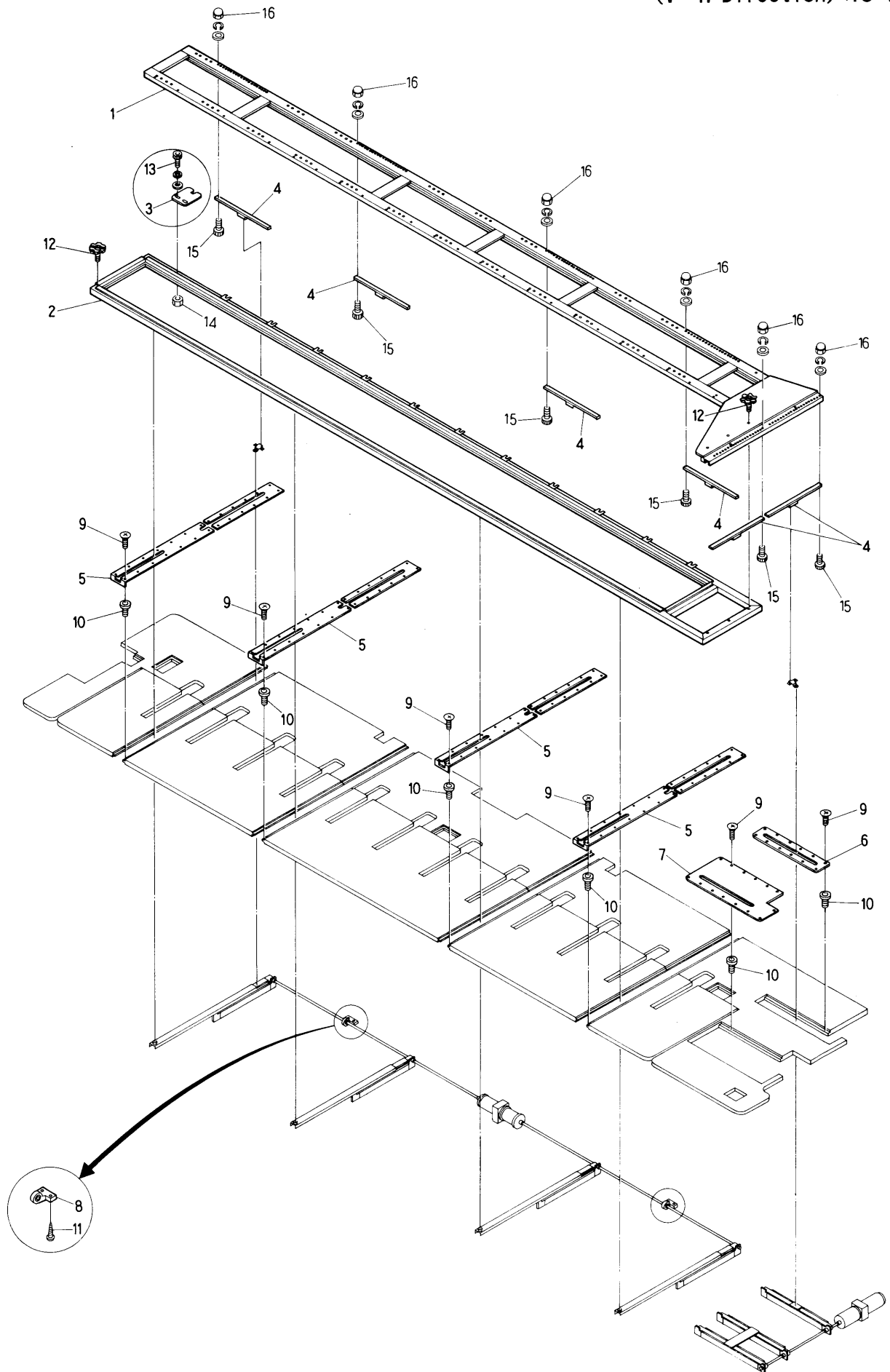
16 Pantograph drive mechanism II  
(V · H-Direction) <YS-10>



From the library of: Diamond Needle Corp

MODEL BEMRHE-YN  
BEMSHE-YN





From the library of: Diamond Needle Corp

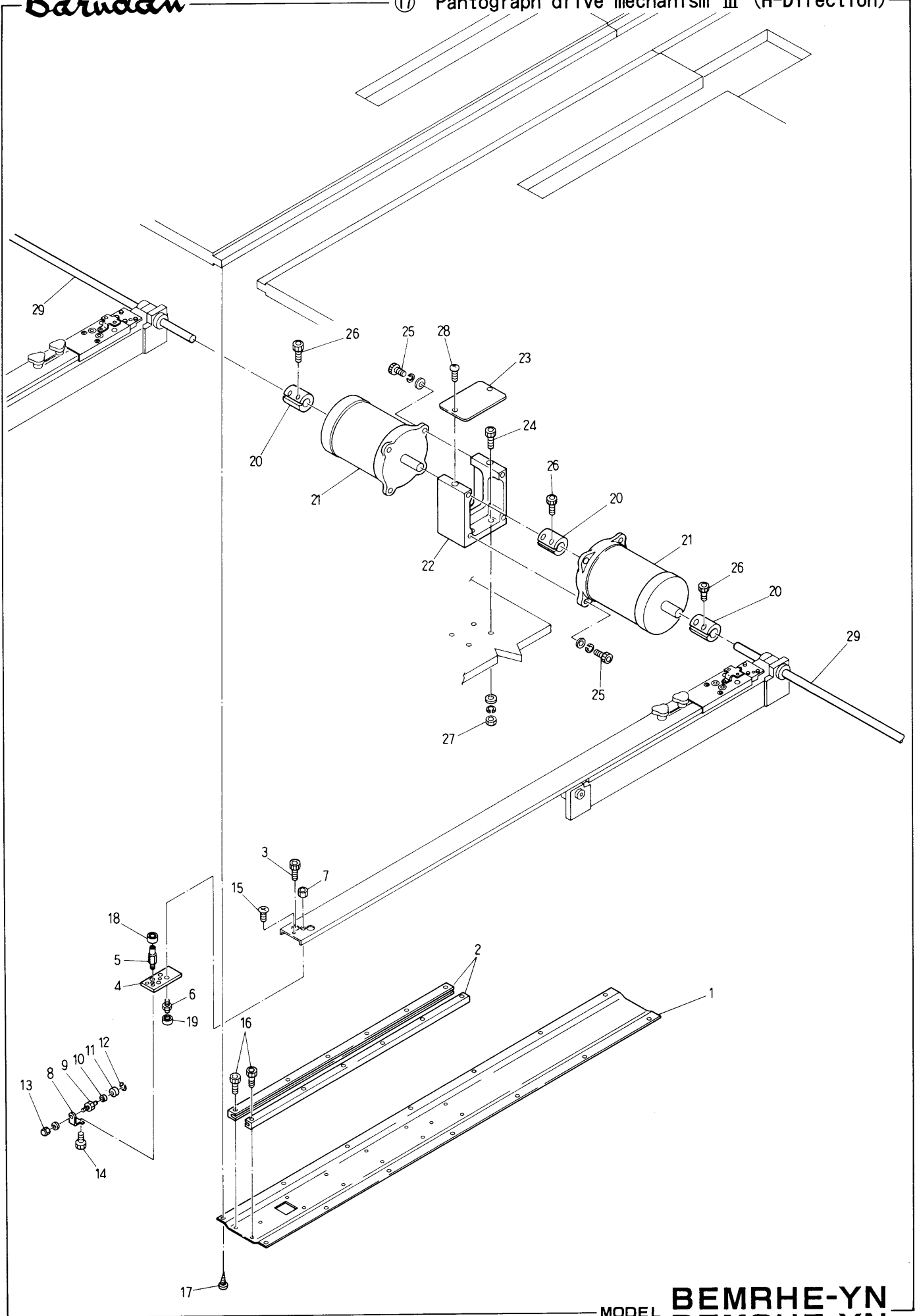
MODEL **BEMRHE-YN**  
**BEMSHE-YN**





Barudan

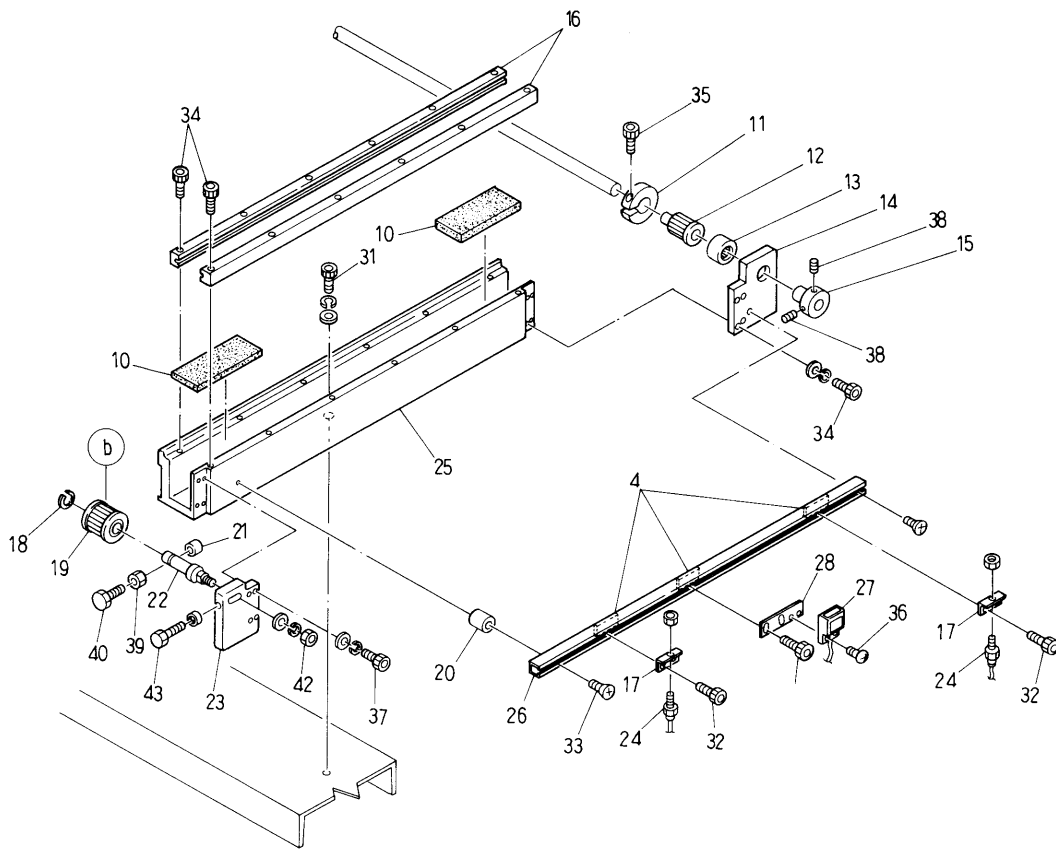
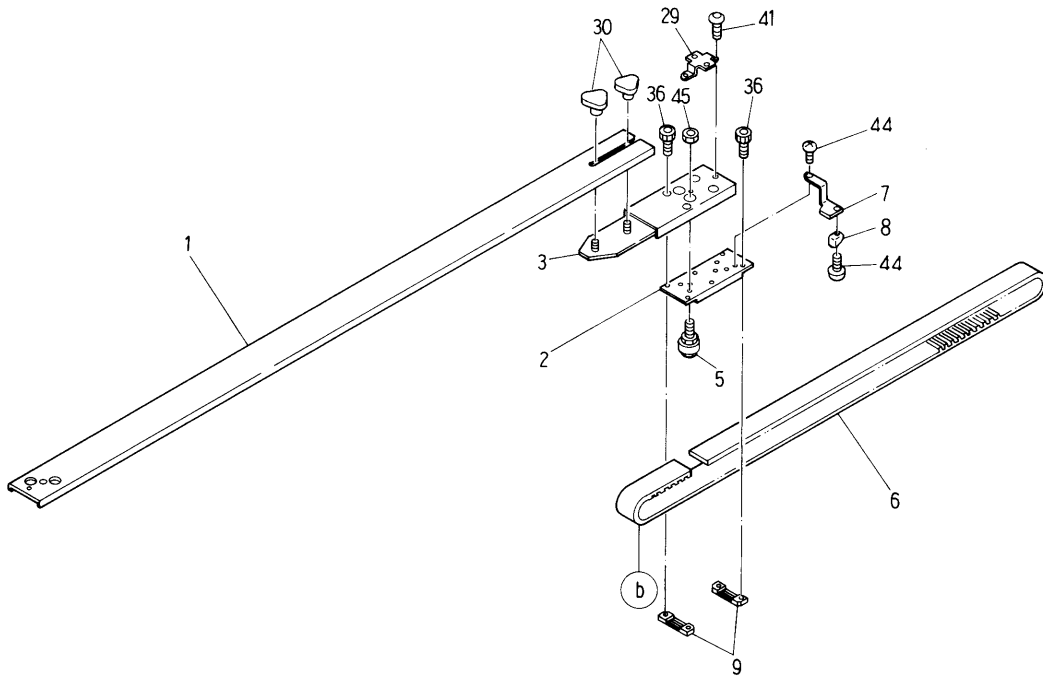
⑰ Pantograph drive mechanism III (H-Direction)



From the library of: Diamond Needle Corp

MODEL **BEMRHE-YN**  
**BEMSHE-YN**



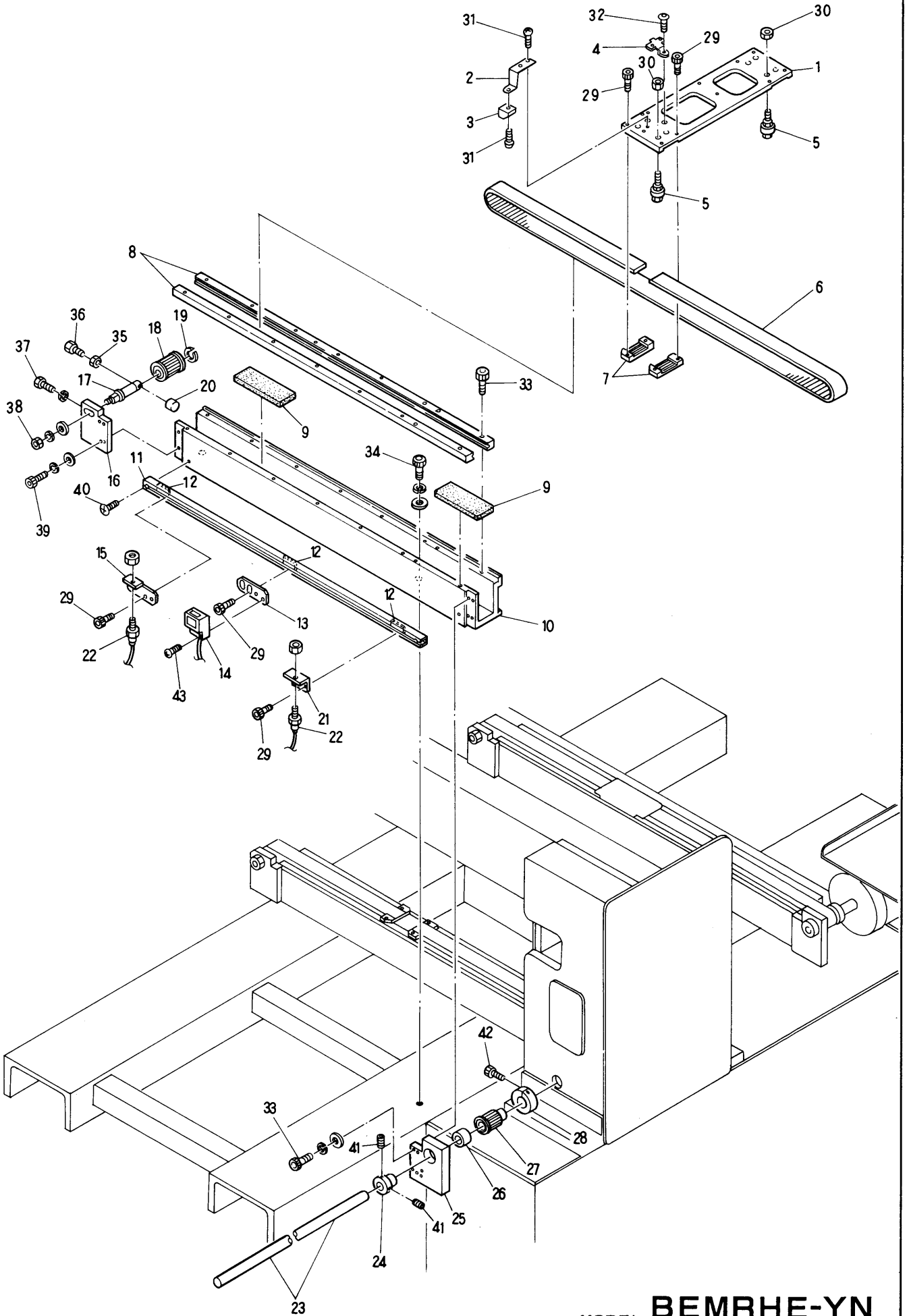


⑱ Pantograph drive mechanism IV (H-Direction)

ITEM	LIST No.	DESCRIPTION	Q'TY	REMARK
1	HS 4 8 0 0 5 1	H-Member connections channel (Front)(Stroke 450)	4	
2	HS 4 8 0 0 0 0	H-Roller base (Rear)(BEMSHE)	4	
3	HS 4 8 0 0 6 1	H-Member connections channel (BEMSHE-YS)	4	
4	KU 4 6 0 2 7 0	Plate nut (M3)	3	
5	HP 4 8 2 9 5 0	Roller pin assy A	1 6	
6	A 9 0 2 0 0 9 8	Timing belt (300S5M2000)	4	
7	HP 4 5 1 0 8 0	H-Pantograph magnet bracket	1	
8	A 9 0 5 2 0 3 0	Magnet (M-102A-02)	1	
9	HP 4 8 2 9 4 0	Timing belt rack (5M)	8	
1 0	KN 4 8 0 0 6 1	Rail base felt (100×38×6)	8	
1 1	HH 4 8 1 9 8 0	Clamping φ19	4	
1 2	HP 4 8 2 9 9 0	Pantograph driving pulley (Rear)(S5M)	4	
1 3	A 9 0 1 1 0 6 3	Needle bearing (TLA2016)	4	
1 4	HH 4 8 2 0 1 1	H-Guide rear pulley bracket	4	
1 5	HH 4 8 1 9 7 0	Pulse motor connecting shaft collar	4	
1 6	HP 4 8 2 9 1 0	V-Guide rail (L=1060)	8	
1 7	MT 4 6 0 2 4 0	RS-001 Bracket	2	
1 8	A 9 0 1 2 0 5 2	E-Ring (φ10)	4	
1 9	HP 4 8 2 9 8 0	Pantograph driving pulley (Front)(S5M)	4	
2 0	A 9 0 1 2 2 1 9	Spacer 8×7	1	
2 1	HH 4 8 2 1 1 0	Pulley shaft bolt cap	4	
2 2	HH 4 8 1 9 9 1	Timing pulley shaft	4	
2 3	HS 4 8 0 2 8 0	H-Guide front pulley bracket (BEMSHE)	4	
2 4	A 9 0 5 2 0 2 4	Switch (RS-001)	2	
2 5	HS 4 8 0 0 9 0	H-Guide rail base (Stroke 450)	4	
2 6	HP 4 5 1 1 1 6 4 5	H-Origin rail (Stroke 450)	1	
2 7	A 9 0 5 2 0 3 1	Magnet proximity switch (MH-601A)	1	
2 8	KN 4 5 0 3 0 0	Proximity switch (MH-601A) fixing bracket	1	
2 9	HS 4 6 0 0 9 0	H-pantograph driving rail fixing bracket	4	
3 0	A 9 0 1 2 2 3 8	Knob nut KT-N M5	8	
3 1		Hex, socket bolt M8×25		
3 2		Hex, socket bolt M3×8		
3 3		Flush screw M4×6		
3 4		Hex, socket bolt M4×15		
3 5		Hex, socket bolt M5×18		
3 6		Hex, socket bolt M4×6		
3 7		Hex, socket bolt M4×18		
3 8		Hex, socket set screw M5×8		
3 9		Hex, nut M4		
4 0		Hex, bolt M4×40		
4 1		Hex, socket button bolt M4×6		
4 2		Hex, nut M8		
4 3		Hex, bolt M4×25		
4 4		Truss screw M3×6		
4 5		Hex, nut M5		

Barudan

①9 Pantograph drive mechanism V (V-Direction)



From the library of: Diamond Needle Corp

MODEL BEMRHE-YN  
BEMSHE-YN

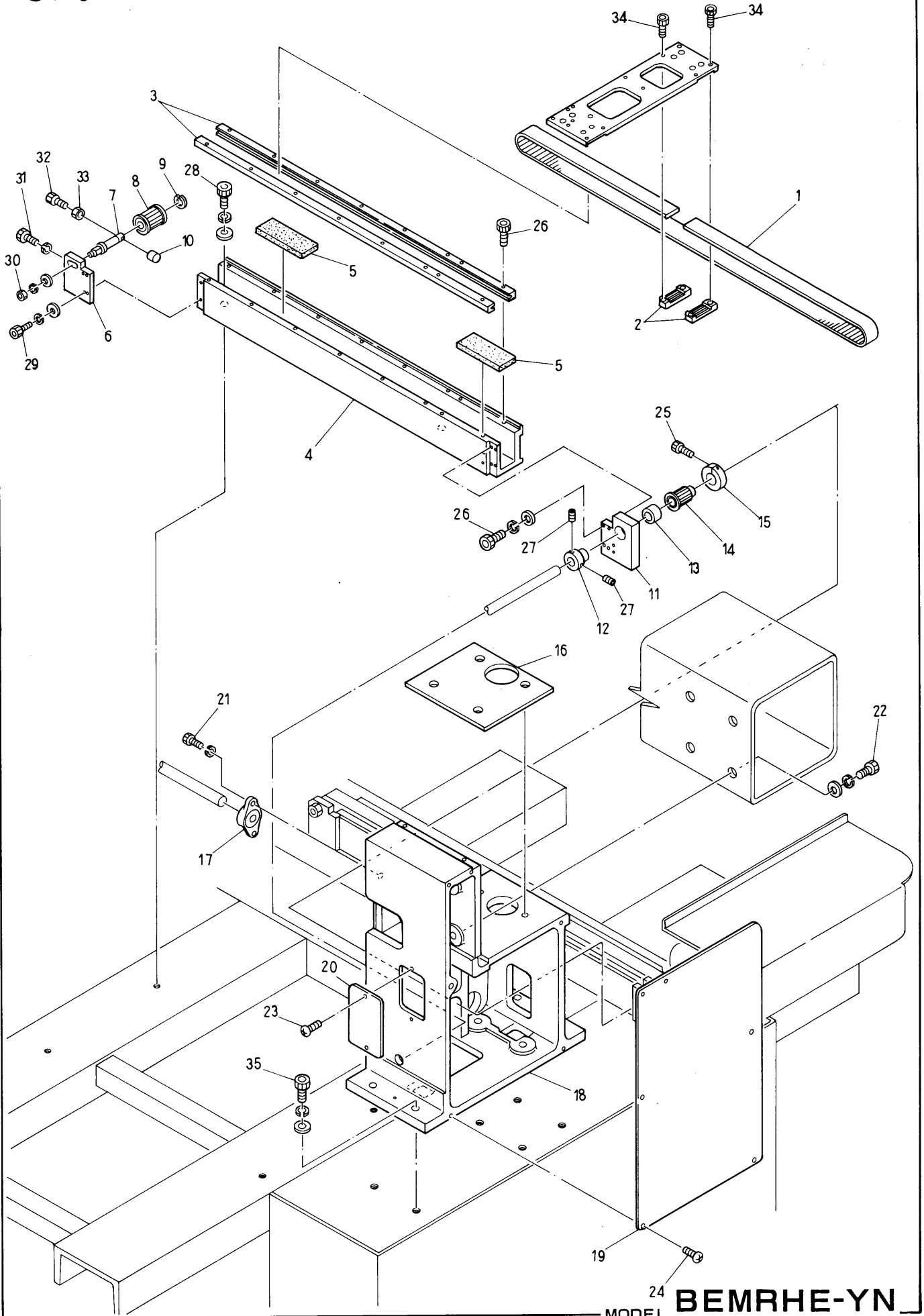
⑨ Pantograph drive mechanism V (V-Direction)

ITEM	LIST No.	DESCRIPTION	Q'TY	REMARK
1	HS 4 8 0 0 2 0	V-Roller base (LM Guide)	1	
2	HP 4 5 1 1 0 0	V-Origin magnet bracket	1	
3	A 9 0 5 2 0 3 0	Magnet M-102A-02	1	
4	HS 4 6 0 1 0 0	V-pantograph driving rail fixing bracket	1	
5	HP 4 8 2 9 5 0	Roller pin a'ssy A	8	
6	A 9 0 2 0 0 9 8	Timing belt (300S5M2000)	1	
7	HP 4 8 2 9 4 0	Timing belt rack (5M)	2	
8	HP 4 8 2 9 1 0	V-Guide rail (L=1060)	2	
9	KN 4 8 0 0 6 1	Rail base felt (100×38×6)	2	
10	HP48217G520	V-Guide rail base (Stroke 520)	1	
11	HP45112G520	V-Origin rail (V520)	1	
12	KU 4 6 0 2 7 0	Plate nut (M3)	3	
13	KN 4 5 0 3 0 0	Proximity switch (MH-601A) fixing bracket	1	
14	A 9 0 5 2 0 3 1	Magnet proximity switch (MH-601A)	1	
15	HS 4 8 0 2 6 0	RS-001 bracket (V-L)	1	
16	HH 4 8 2 0 0 0	H-Guide front pulley bracket	1	
17	HH 4 8 1 9 9 1	Timing pulley shaft	1	
18	HP 4 8 2 9 8 0	Pantograph driving pulley (Front)(S5M)	1	
19	A 9 0 1 2 0 5 2	E-Ring (φ10)	1	
20	HH 4 8 2 1 1 0	Pulley shaft bolt cap	1	
21	MT 4 6 0 2 4 0	RS-001 bracket (V)	1	
22	A 9 0 5 2 0 2 4	Switch RS-001	2	
23		V-Pulse motor shaft φ15	1	
24	HH 4 8 1 9 7 0	Pulse motor coupling shaft collar	1	
25	HH 4 8 2 0 1 1	H-Guide rear pulley bracket	1	
26	A 9 0 1 1 0 6 3	Needle bearing (TLA 2016)	1	
27	HP 4 8 2 9 9 0	Pantograph driving pulley (Rear)(S5M)	1	
28	HH 4 8 1 9 8 0	Clamping φ19	1	
29		Hex, socket bolt M3×6		
30		Hex, nut M5		
31		Truss screw M3×6		
32		Hex, socket button bolt M4×6		
33		Hex, socket bolt M4×15		
34		Hex, socket bolt M8×25		
35		Hex, nut M4		
36		Hex, bolt M4×40		
37		Hex, bolt M4×25		
38		Hex, nut M8		
39		Hex, socket bolt M4×18		
40		Flush screw M4×6		
41		Hex, socket set screw M5×8		
42		Hex, socket bolt M5×18		
43		Truss screw M3×10		

From the library of: Diamond Needle Corp

Barudan

20 Pantograph drive mechanism VI (V-Direction)



From the library of: Diamond Needle Corp

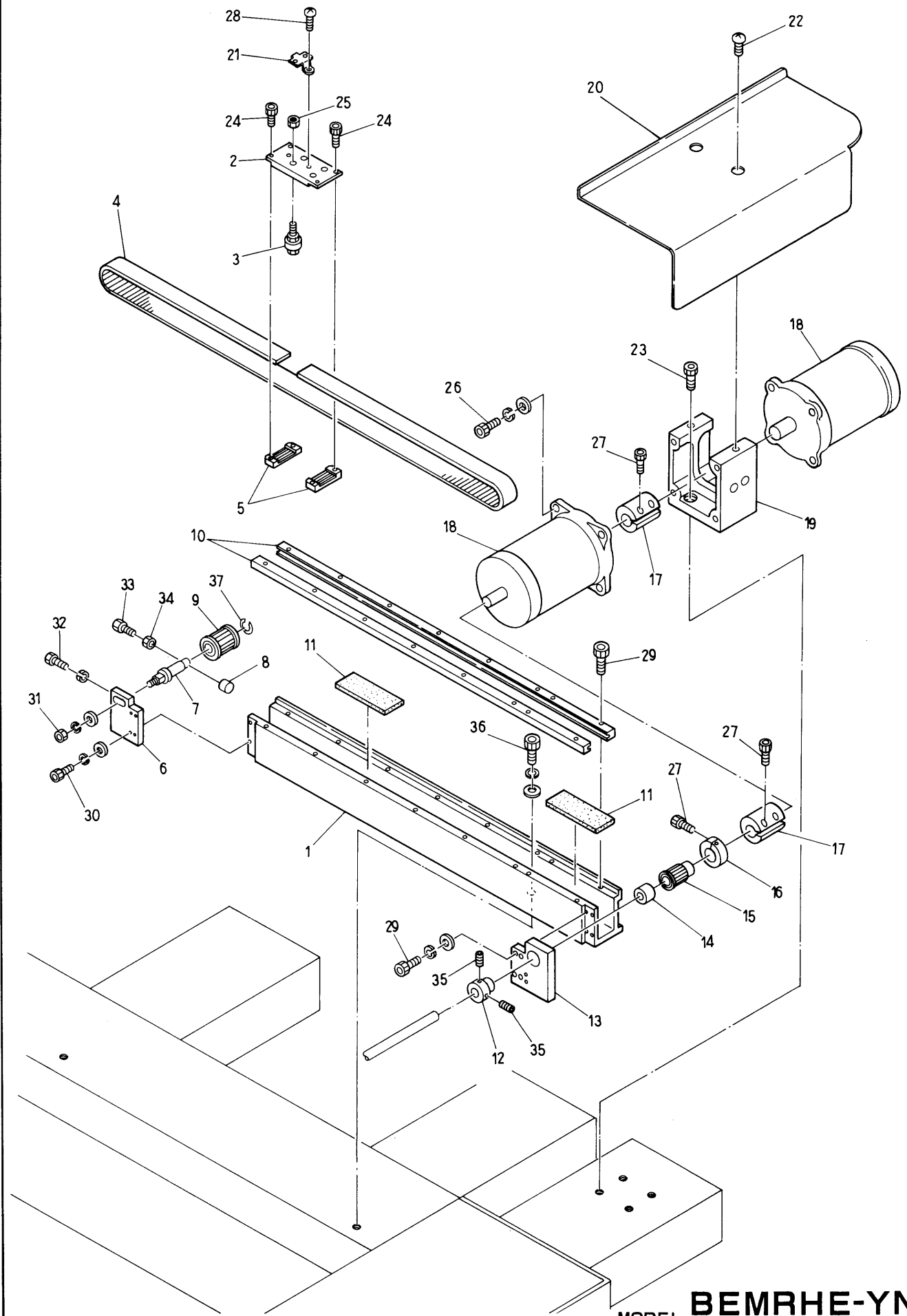
MODEL **BEMRHE-YN**  
**BEMSHE-YN**





Barudan

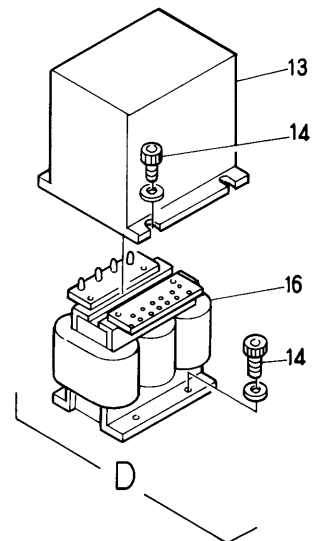
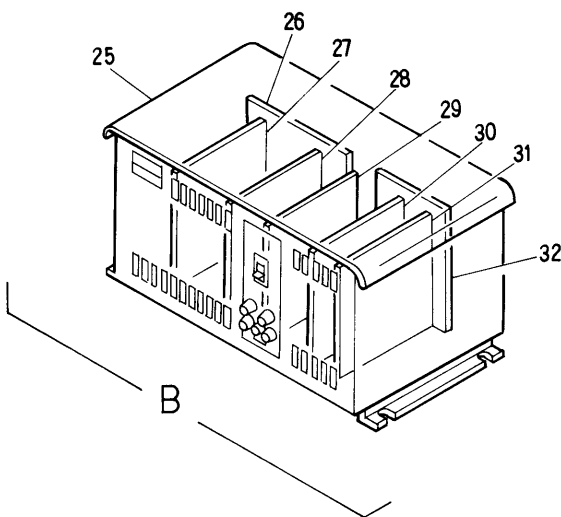
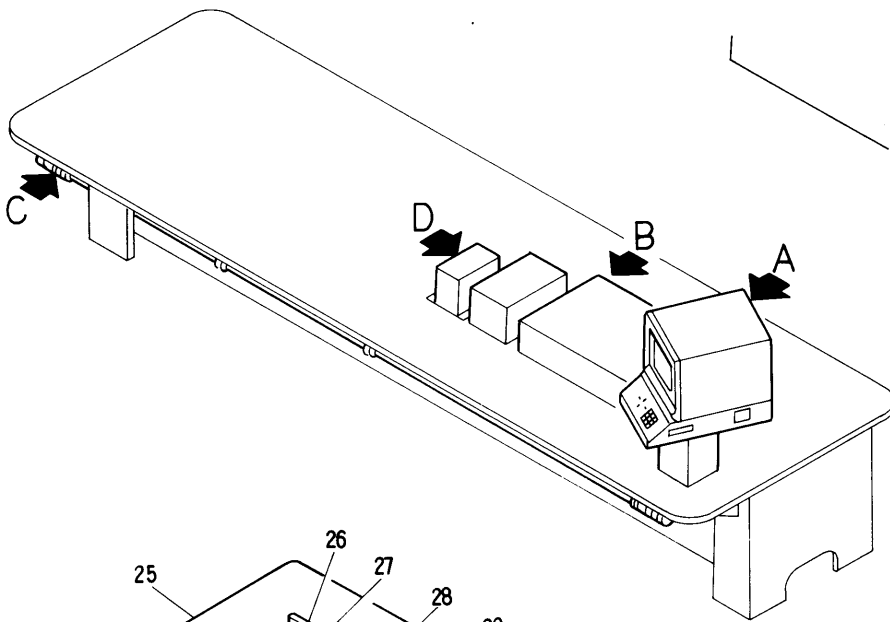
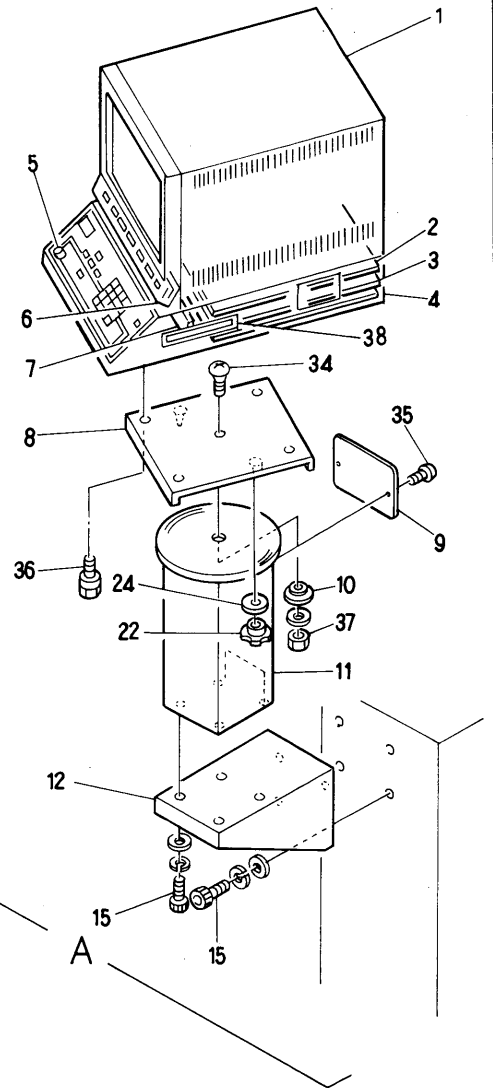
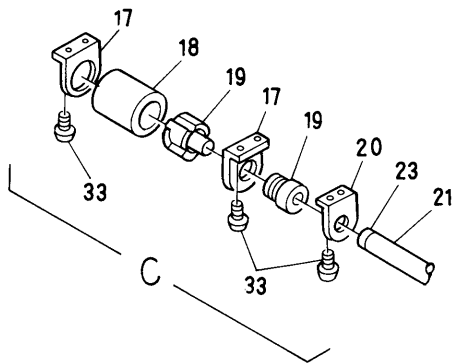
②1 Pantograph drive mechanism VII (V-Direction)



From the library of: Diamond Needle Corp

MODEL **BEMRHE-YN**  
**BEMSHE-YN**



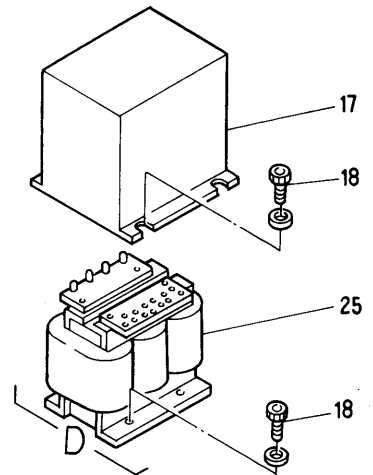
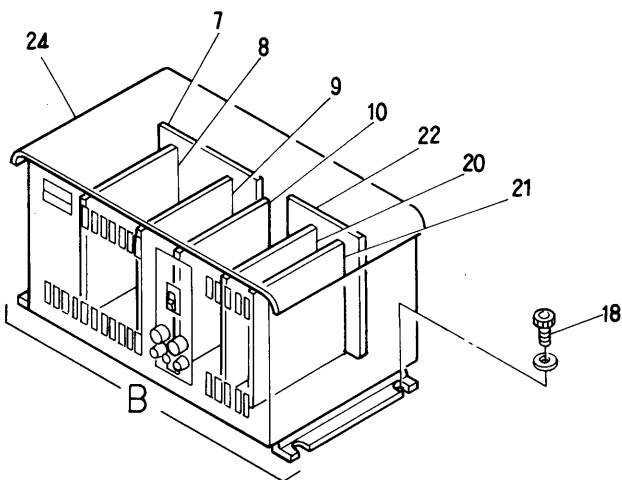
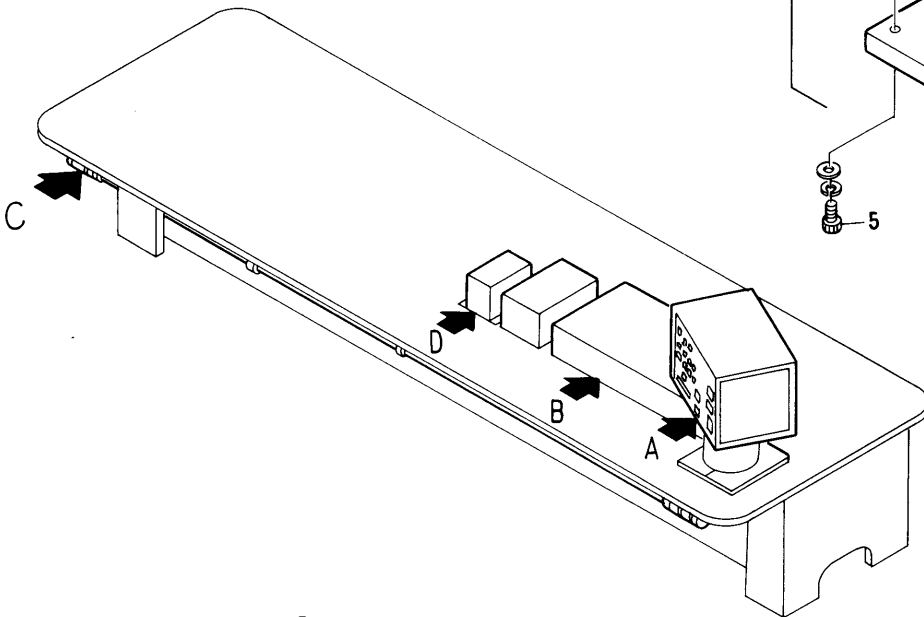
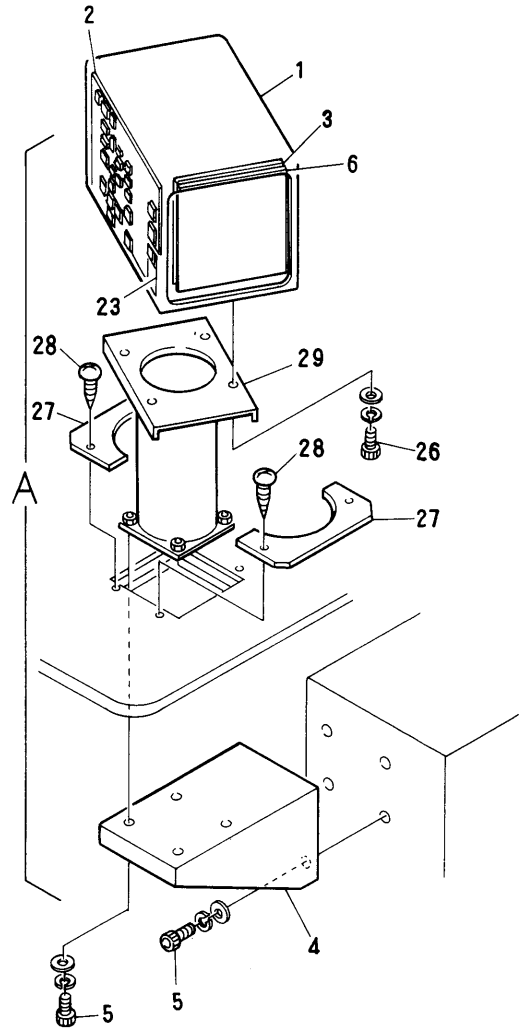
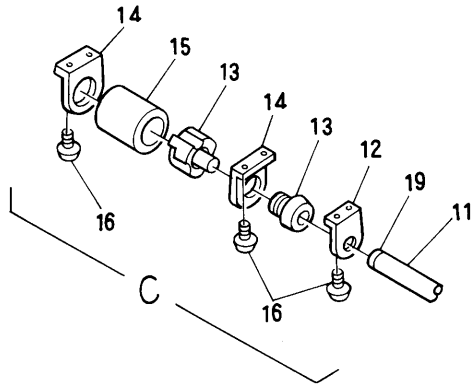


From the library of: Diamond Needle Corp



Barudan

②② Control system <BEMSHE-YN>

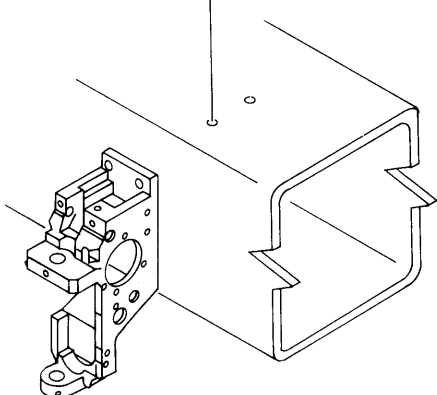
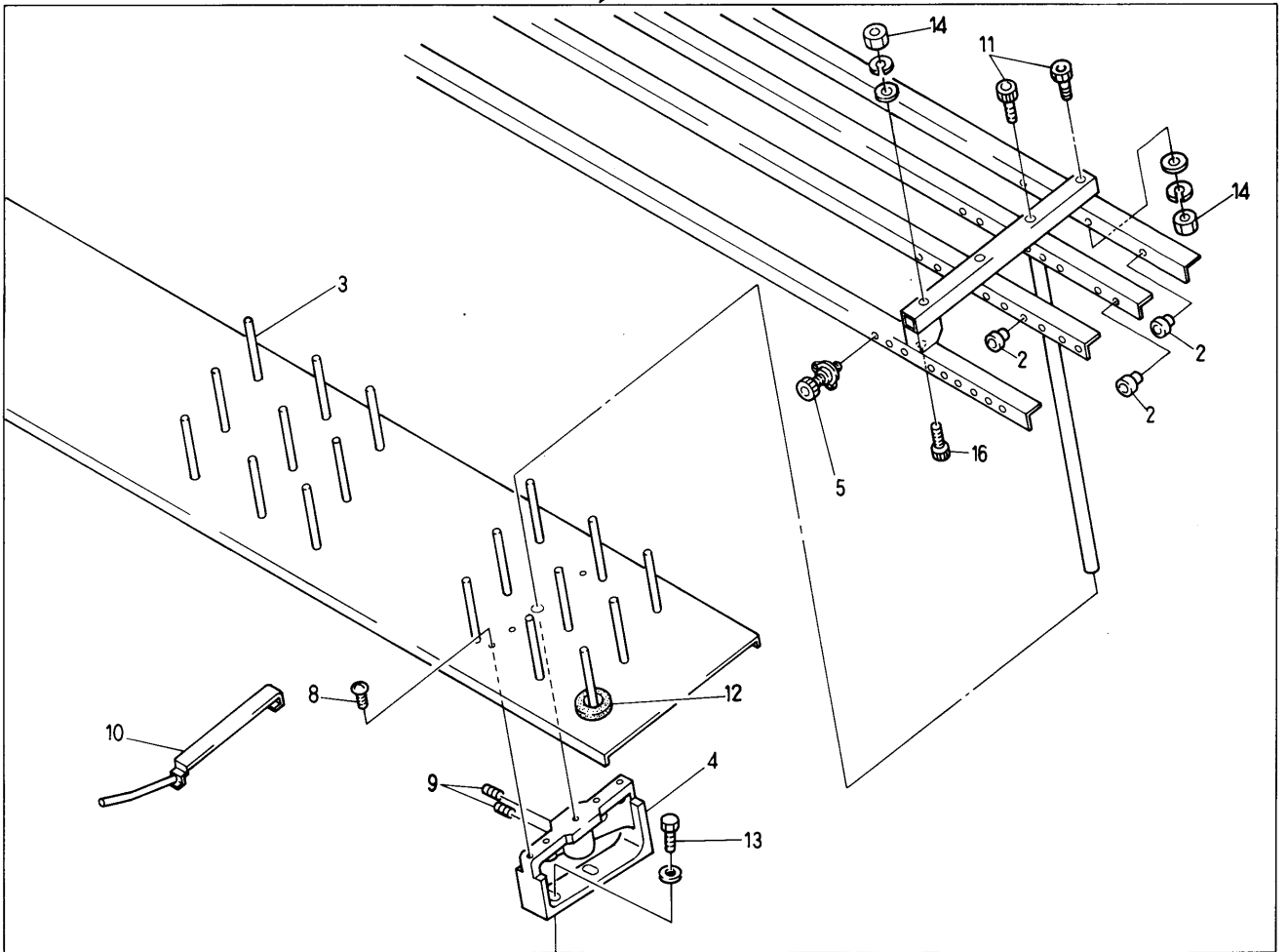
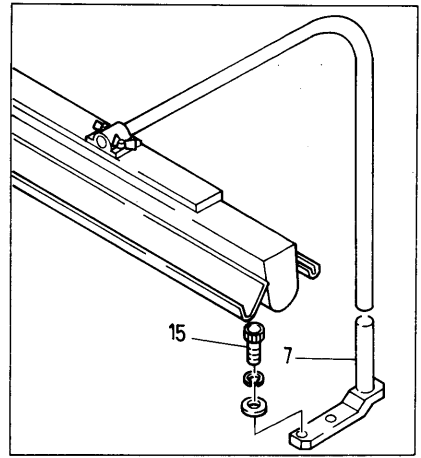
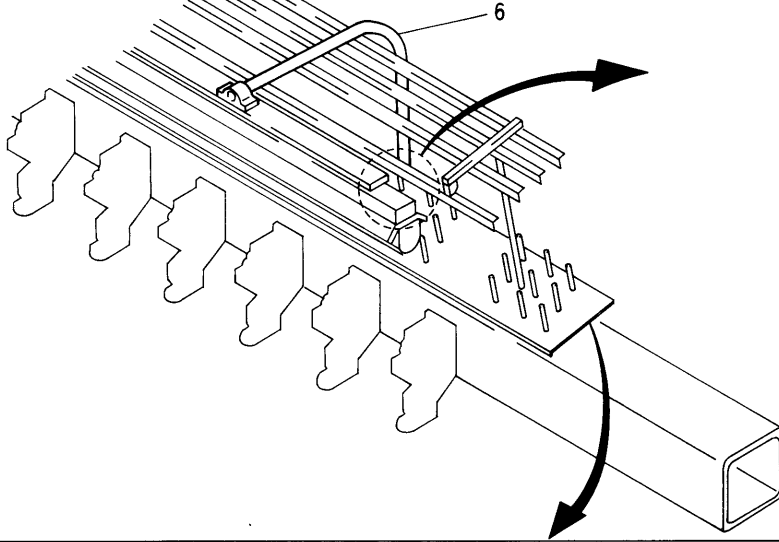


MODEL **BEMRHE-YN**  
**BEMSHE-YN**



Barudan

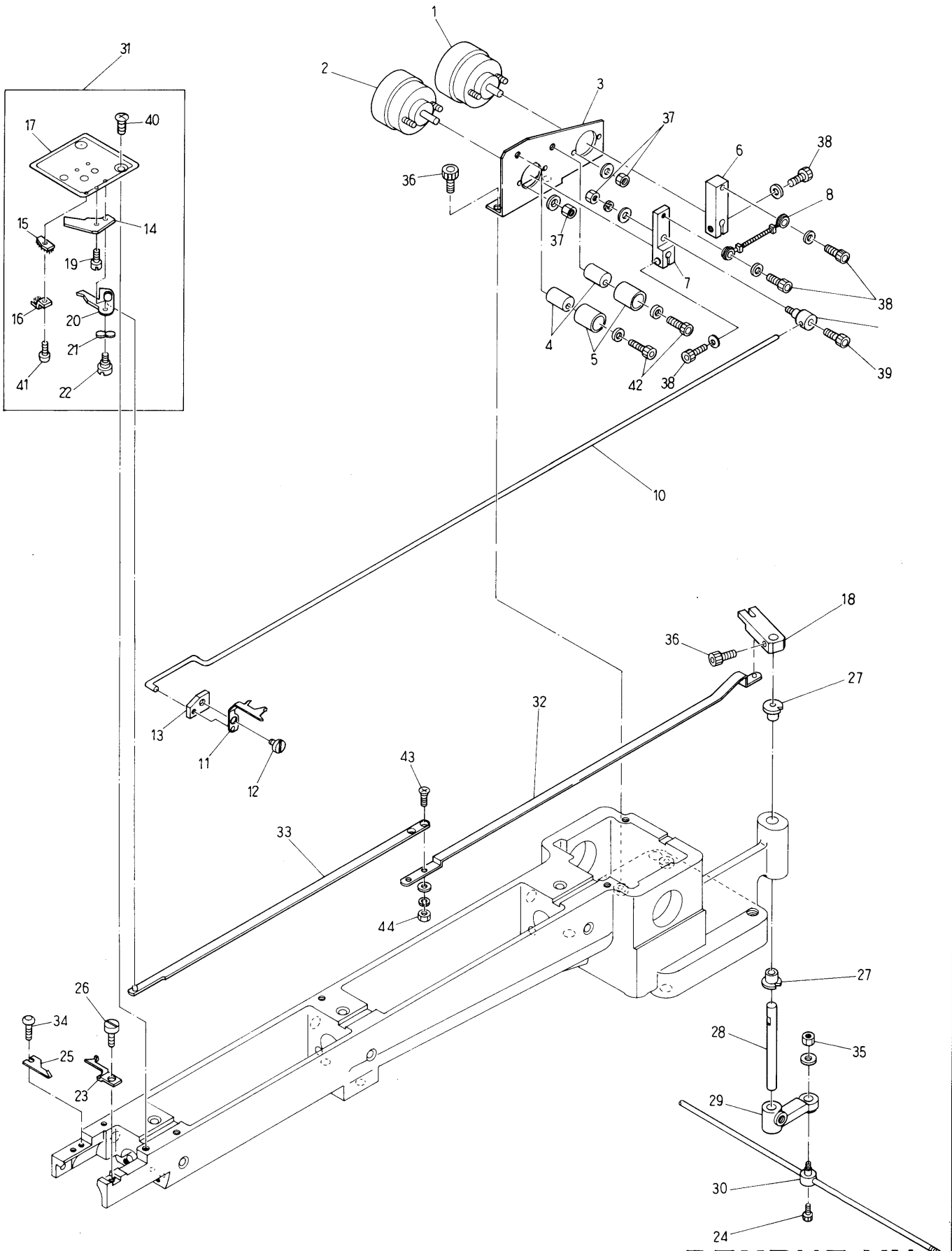
23 Option



MODEL **BEMRHE-YN**  
**BEMSHE-YN**







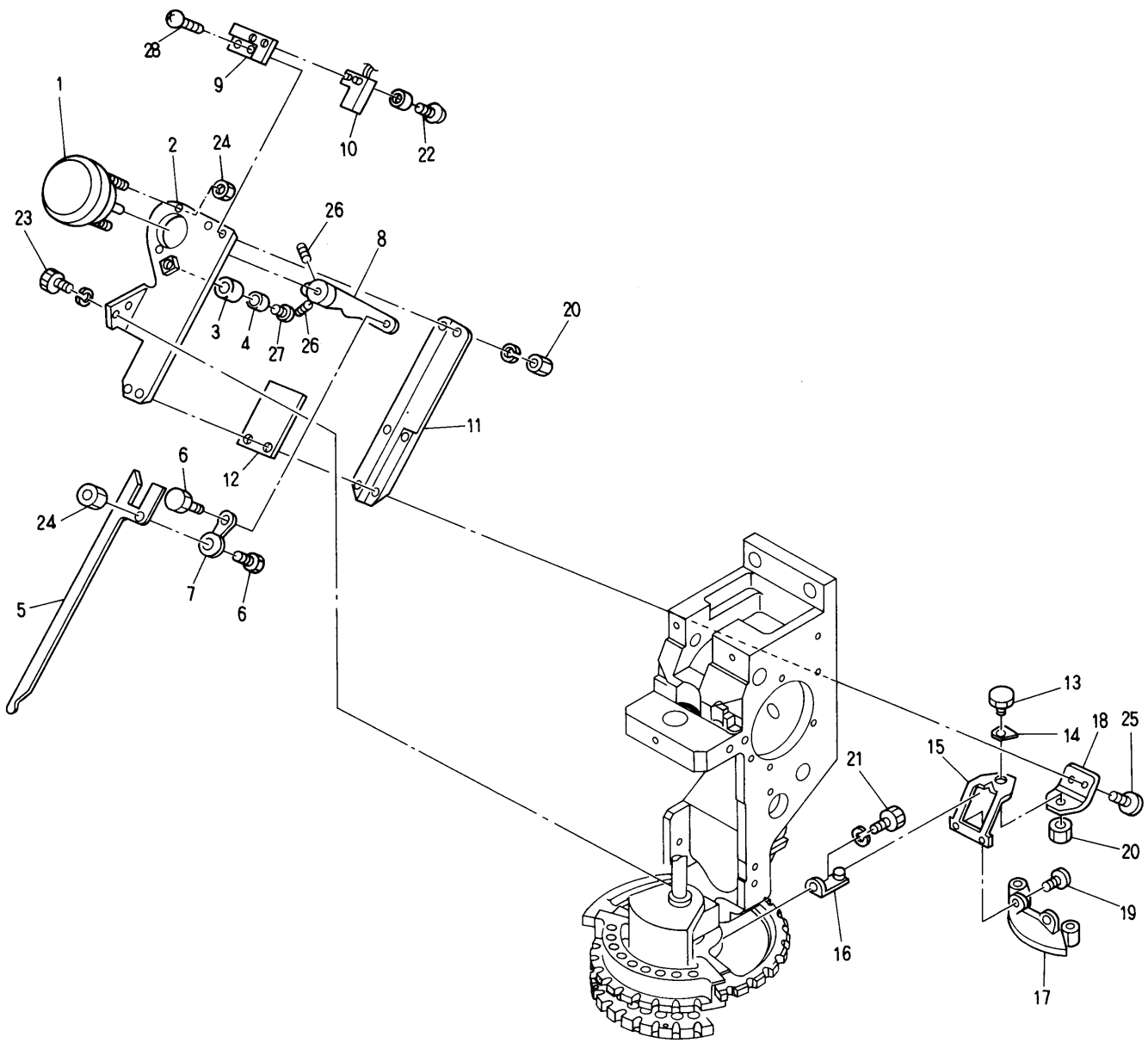
From the library of: Diamond Needle Corp

②4 Thread cutting mechanism I

(H=Head Q' TY)

ITEM	LIST No.	DESCRIPTION	Q' TY	REMARK
1	A 9 0 5 6 0 1 2	Rotary solenoid (3EL25 33×3×8×9)	H×1	
2	A 9 0 5 6 0 0 8	Rotary solenoid (3EL25 35×3×8×9)	H×1	
3	HS 2 1 0 0 6 0	Solenoid stay	H×1	
4	KN 2 7 1 6 5 1	Eccentric stopper	H×2	
5	KN 2 7 1 6 6 1	Eccentric cover	H×2	
6	KC 2 7 1 9 5 0	Solenoid lever B	H×1	
7	KC 2 7 1 9 4 0	Solenoid lever A	H×1	
8	KL 2 7 0 3 6 0	Drive rope	H×1	
9	HS 2 1 0 0 8 0	Connecting clamp	H×1	
10	HS 2 1 0 0 7 0	Hook drive rod	H×1	
11	HS 2 1 0 1 4 2	Hook	H×1	
12	KC 2 7 1 0 0 1	Upper knife turning shaft	H×1	
13	HS 2 1 0 0 5 0	Stay	H×1	
14	KC 2 7 0 9 6 0	Fixed knife	H×1	
15	KN 2 7 1 2 2 0	Lower thread support stay (Upper) CMP	H×1	
16	KN 2 7 1 1 9 0	Lower thread support stay (lower) CMP	H×1	
17	KL 2 7 0 3 8 0	Throat plate	H×1	
18	HS 2 1 0 1 0 0	Lower knife driving lever (Upper)	H×1	
19	KC 2 7 0 9 8 0	Set screw (fixing knife)	H×1	
20	KC 2 7 0 9 5 0	Lower knife	H×1	
21	A 9 0 1 3 0 4 5	Wave washer (WW5)	H×1	
22	KC 2 7 0 9 7 0	Lower knife turning shaft	H×1	
23	KC 2 2 0 6 4 2	Rotating hook bobin case holder position bracket	H×1	
24		Hex, socket bolt M4×8		
25	KB 2 7 0 0 1 0	Upper knife	H×1	
26	A 9 0 1 2 0 0 7	Screw (SM11/64 40×10) Cylinder	H×1	
27	A 9 0 1 1 1 7 3	DU bush (MB0606-12FDU)	H×2	
28	HS 2 1 0 0 9 0	Knife lever turning shaft	H×1	
29	KN 2 7 1 5 6 0	Knife lever	H×1	
30	MT 2 7 2 5 0 0	Connecting bar clamp	H×1	
31	KL 2 7 0 3 9 0	Throat plate a'ssy	H×1	
32	HS 2 1 0 1 2 0	Lower knife driving rod B	H×1	
33	HS 2 1 0 1 1 0	Lower knife driving rod A	H×1	
34		Hex, socket button bolt M3×6		
35		Hex, nut M4		
36		Hex, socket bolt M4×8		
37		Hex, nut M3		
38		Hex, socket bolt M4×10		
39		Hex, socket bolt M3×5		
40		Flush screw M3×3		
41		Pan screw M3×3		
42		Hex, socket bolt M4×18		
43	HB 2 3 0 6 5 0	Flush screw (with adhesion)	H×1	
44		Hex, nut M3		

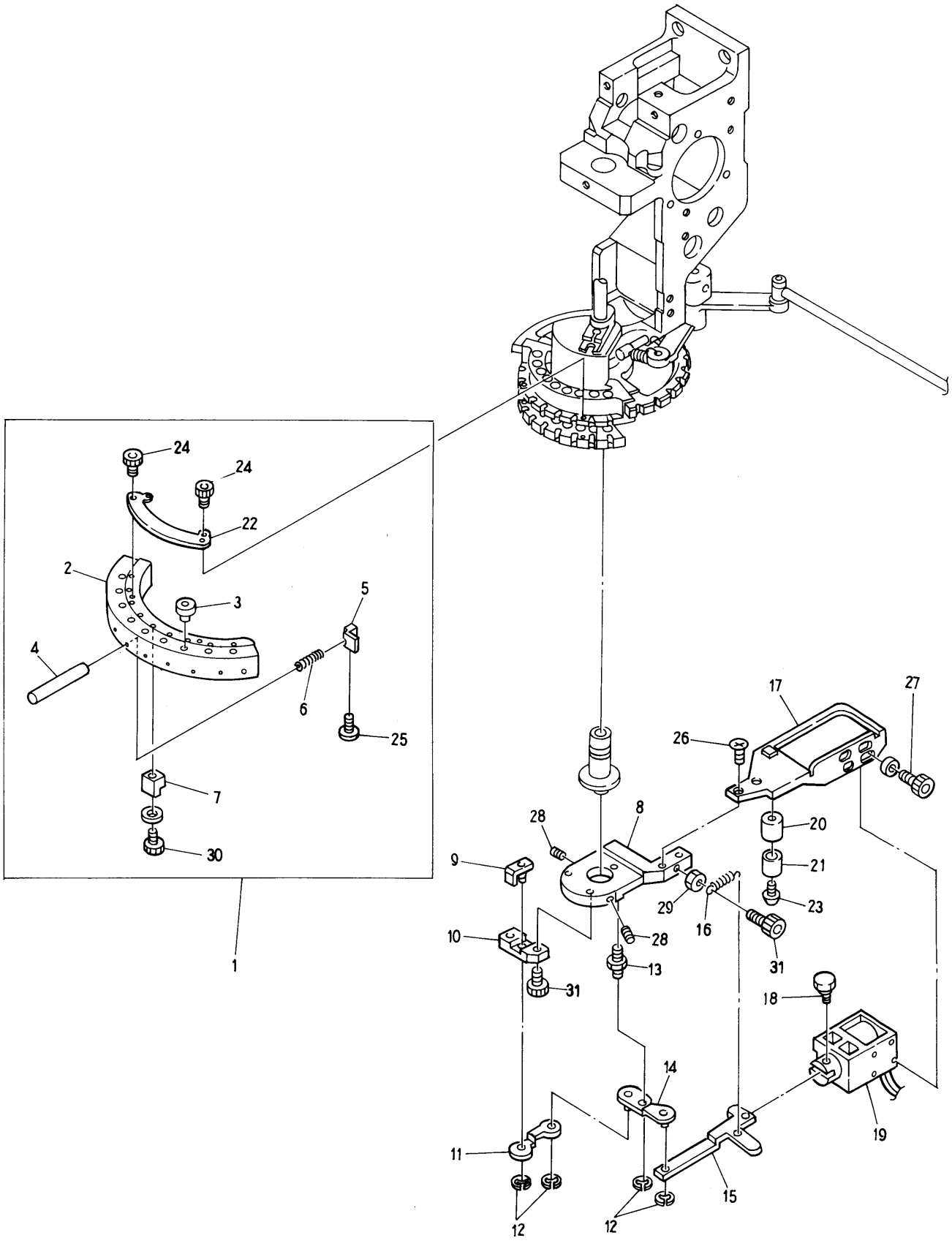
From the library of: Diamond Needle Corp



From the library of: Diamond Needle Corp

MODEL **BEMRHE-YN**  
**BEMSHE-YN**





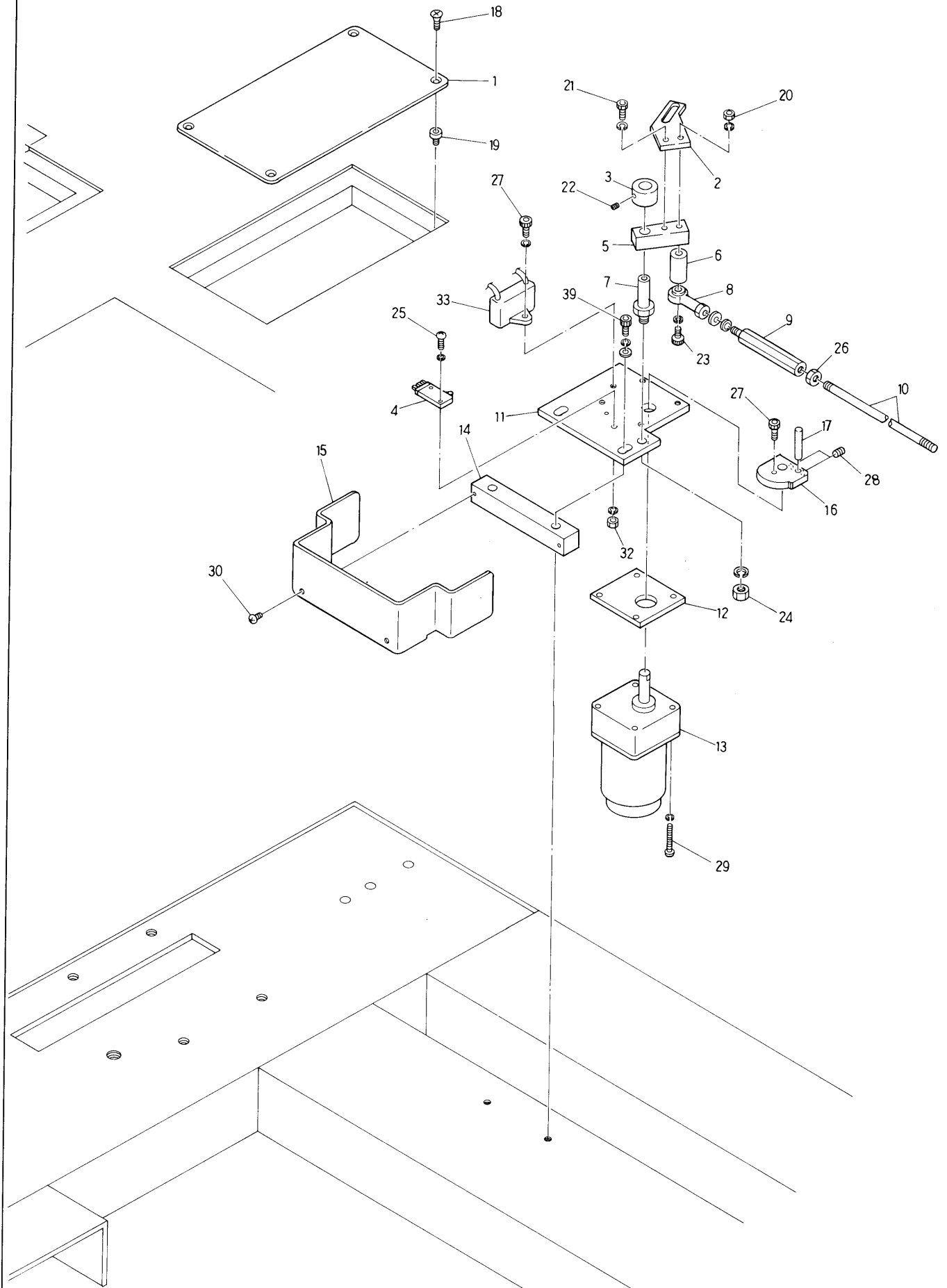
From the library of: Diamond Needle Corp

MODEL BEMRHE-YN  
BEMSHE-YN



Barudan

②⑦ Thread cutting drive mechanism



From the library of: Diamond Needle Corp

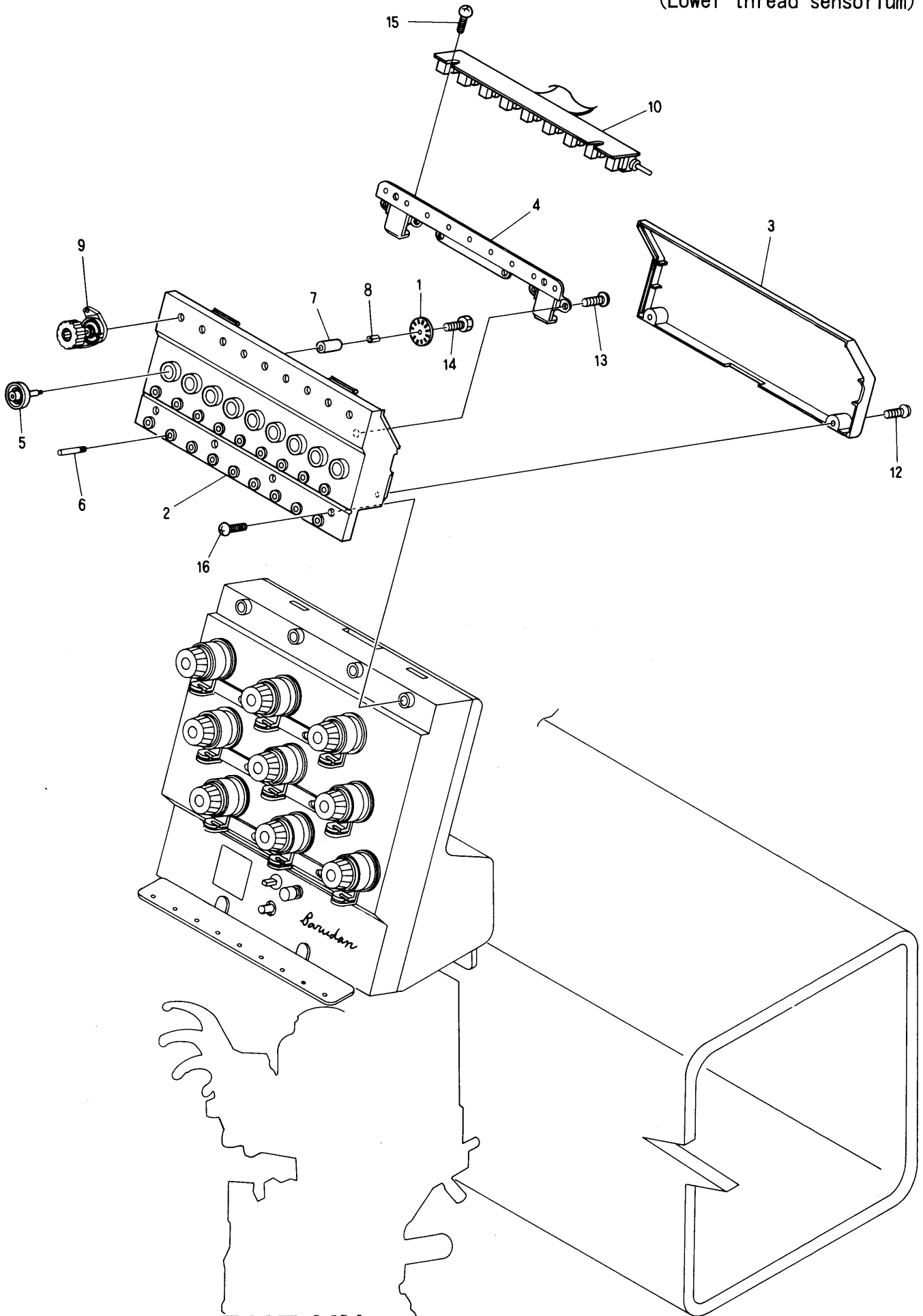
MODEL **BEMRHE-YN**  
**BEMSHE-YN**





Barudan

②⑧ Thread guide mechanism  
(Lower thread sensorium)



From the library of: Diamond Needle Corp

MODEL **BEMRHE-YN**  
**BEMSHE-YN**





# I N D E X

LIST No.	PAGE No.	ITEM	LIST No.	PAGE No.	ITEM
1AHS1052052045H	3	2	A 9 0 1 2 0 5 3	1 7	6
1AHS1252052045H	5	2	A 9 0 1 2 0 5 5	3 1	1 8
1BHS1052052045H	3	1 2	A 9 0 1 2 0 5 6	5 9	1 2
1BHS1252052045H	5	1 2	A 9 0 1 2 0 6 8	2 5	1 2
1EHS1052052045H	3	1 1	A 9 0 1 2 1 2 6	3 9	1 0
1EHS1252052045H	5	1 1	A 9 0 1 2 1 2 7	3 9	1 2
1FHS1052052045H	3 5	2	A 9 0 1 2 1 4 3	3 1	2 2
1FHS1252052045H	3 7	2	A 9 0 1 2 1 6 3	1 3	1 6
1GHS1052052045H	3 5	1	A 9 0 1 2 1 6 4	1 9	1 0
1GHS1252052045H	3 7	1	A 9 0 1 2 1 6 6	2 5	1 5
1 J P 2 0 2 4 0	5 3	1	A 9 0 1 2 1 9 0	1 9	2 0
1KHS1052052045H	3	1	A 9 0 1 2 2 1 9	4 1	2 0
1KHS1252052045H	5	1	A 9 0 1 2 2 3 8	4 1	3 0
1SHS10520520K	3	1 0	A 9 0 1 2 2 9 1	1 7	1 9
1SHS12520520K	5	1 0	A 9 0 1 3 0 4 5	5 5	2 1
A 9 0 1 0 0 0 1	2 9	8	A 9 0 1 3 0 4 5	5 7	1 4
A 9 0 1 0 0 1 7	1 3	1 5	A 9 0 1 4 0 5 1	2 1	1 8
A 9 0 1 0 1 0 0	1 1	3 2	A 9 0 1 4 0 5 5	1 7	1 7
A 9 0 1 0 1 0 1	1 1	3 1	A 9 0 1 4 0 5 9	1 1	4 3
A 9 0 1 0 1 0 2	1 1	3 3	A 9 0 2 0 0 9 8	4 1	6
A 9 0 1 1 0 2 1	1 5	5	A 9 0 2 0 0 9 8	4 3	6
A 9 0 1 1 0 2 1	1 7	2 2	A 9 0 2 0 0 9 8	4 5	1
A 9 0 1 1 0 2 2	1 7	2 3	A 9 0 2 0 0 9 8	4 7	4
A 9 0 1 1 0 2 3	1 7	2 1	A 9 0 2 0 2 0 3	2 7	1 4
A 9 0 1 1 0 3 5	2 5	3	A 9 0 5 2 0 0 5	6 1	4
A 9 0 1 1 0 4 0	2 5	1 9	A 9 0 5 2 0 2 4	4 1	2 4
A 9 0 1 1 0 4 0	2 7	4	A 9 0 5 2 0 2 4	4 3	2 2
A 9 0 1 1 0 6 3	4 1	1 3	A 9 0 5 2 0 2 8	5 7	1 0
A 9 0 1 1 0 6 3	4 3	2 6	A 9 0 5 2 0 3 0	4 1	8
A 9 0 1 1 0 6 3	4 5	1 3	A 9 0 5 2 0 3 0	4 3	3
A 9 0 1 1 0 6 3	4 7	1 4	A 9 0 5 2 0 3 1	4 1	2 7
A 9 0 1 1 1 1 1	1 1	1 1	A 9 0 5 2 0 3 1	4 3	1 4
A 9 0 1 1 1 5 2	1 5	4	A 9 0 5 4 0 4 0	6 1	3 3
A 9 0 1 1 1 7 3	5 5	2 7	A 9 0 5 6 0 0 8	5 5	2
A 9 0 1 2 0 0 1	3 1	7	A 9 0 5 6 0 1 1	3 1	1 5
A 9 0 1 2 0 0 2	3 1	1 4	A 9 0 5 6 0 1 2	5 5	1
A 9 0 1 2 0 0 2	6 1	8	A 9 0 5 6 0 1 3	5 9	1 9
A 9 0 1 2 0 0 7	1 1	2 3	A 9 0 5 6 0 1 8	5 7	1
A 9 0 1 2 0 0 7	5 5	2 6	A 9 0 5 6 0 2 0	2 1	1
A 9 0 1 2 0 2 7	1 1	2 0	A 9 0 6 5 0 2 8	6 1	1 3
A 9 0 1 2 0 5 1	2 1	1 9	E A Y 0 1 7 A 1	4 9	1
A 9 0 1 2 0 5 2	4 1	1 8	E A Y 0 1 7 A 2	4 9	2 5
A 9 0 1 2 0 5 2	4 3	1 9	E A Y 0 1 7 A 3	4 9	1 6
A 9 0 1 2 0 5 2	4 5	9	E A Y 0 1 8 A 3	4 9	1 6
A 9 0 1 2 0 5 2	4 7	3 7	E A Y 0 2 1 A 1	5 1	1

# I N D E X

LIST	No.	PAGE No.	ITEM	LIST	No.	PAGE No.	ITEM
E A Y 0 2 1 A 2		5 1	2 4	H B 2 3 0 0 6 2		1 3	9
E A Y 0 2 1 A 3		5 1	2 5	H B 2 3 0 0 7 0		1 3	8
E A Y 0 2 2 A 3		5 1	2 5	H B 2 3 0 0 8 0		1 3	7
E B Y 0 0 4 5 0		4 9	2	H B 2 3 0 0 9 1		1 3	1 8
E B Y 0 0 4 6 0		4 9	3	H B 2 3 0 1 1 1		1 3	5
E B Y 0 0 4 7 0		4 9	4	H B 2 3 0 1 4 0		1 7	2 4
E B Y 0 0 4 8 0		4 9	7	H B 2 3 0 1 5 0		1 5	6
E B Y 0 0 4 9 0		4 9	5	H B 2 3 0 1 6 0		1 9	1 1
E B Y 0 0 5 0 0		4 9	6	H B 2 3 0 1 7 0		1 7	2 0
E B Y 0 0 5 1 0		4 9	3 1	H B 2 3 0 1 8 0		1 7	2 9
E B Y 0 0 5 1 0		5 1	2 1	H B 2 3 0 1 9 0		1 7	3
E B Y 0 0 5 2 0		4 9	3 0	H B 2 3 0 2 0 0		1 9	1 3
E B Y 0 0 5 2 0		5 1	2 0	H B 2 3 0 2 1 0		1 9	1 4
E B Y 0 0 5 3 0		4 9	2 8	H B 2 3 0 2 2 0		1 9	9
E B Y 0 0 5 3 0		5 1	9	H B 2 3 0 2 3 1		1 9	1 2
E B Y 0 0 5 4 0		4 9	2 7	H B 2 3 0 2 4 1		1 9	4
E B Y 0 0 5 4 0		5 1	8	H B 2 3 0 2 5 1		1 9	8
E B Y 0 0 5 5 0		4 9	2 9	H B 2 3 0 2 6 1		1 9	3
E B Y 0 0 5 5 0		5 1	1 0	H B 2 3 0 2 7 1		1 9	2
E B Y 0 0 5 6 0		4 9	3 2	H B 2 3 0 2 8 1		1 9	7
E B Y 0 0 5 6 0		5 1	2 2	H B 2 3 0 3 4 0		1 3	1 2
E B Y 0 0 5 7 0		4 9	2 6	H B 2 3 0 3 5 0		1 9	5
E B Y 0 0 5 7 0		5 1	7	H B 2 3 0 3 6 0		1 9	6
E B Y 0 0 6 3 0		4 9	3 8	H B 2 3 0 3 7 2		1 9	1 5
E B Y 0 0 6 3 0		5 1	2 3	H B 2 3 0 3 8 3		1 9	1 9
E B Y 0 0 9 4 0		5 1	4	H B 2 3 0 3 9 0		1 9	2 1
E B Y 0 0 9 5 0		5 1	5	H B 2 3 0 4 0 1		1 9	2 2
E B Y 0 0 9 7 0		5 1	3	H B 2 3 0 4 1 4		1 9	1 6
E B Y 0 0 9 8 0		5 1	6	H B 2 3 0 4 2 0		1 9	1 7
E B Y 0 0 9 9 0		5 1	2	H B 2 3 0 4 5 0		2 1	1 0
E B Y 0 1 1 0 0		2 3	1 2	H B 2 3 0 4 6 0		2 1	1 2
E B Y 0 1 1 2 0		2 9	4	H B 2 3 0 4 7 0		2 1	1 1
H B 1 3 0 0 1 1 8 0		3	3 4	H B 2 3 0 4 8 1		1 5	7
H B 1 3 0 0 2 0		2 5	2	H B 2 3 0 4 9 3		1 3	9
H B 1 3 0 0 2 0		4 5	1 6	H B 2 3 0 5 9 0		1 9	2 3
H B 1 3 0 0 3 0		2 5	2	H B 2 3 0 6 2 0		1 3	4
H B 1 3 0 0 3 0		4 5	1 6	H B 2 3 0 6 5 0		1 3	3 0
H B 1 3 0 0 4 0		3	3 3	H B 2 3 0 6 5 0		5 5	4 3
H B 2 1 0 0 1 0		1 3	1 7	H B 2 3 0 6 8 1		1 3	3 2
H B 2 2 0 0 1 0		1 1	1 5	H B 2 3 0 6 9 1		1 3	3 2
H B 2 3 0 0 1 1		1 3	1 3	H B 2 3 0 7 0 1		1 9	1
H B 2 3 0 0 2 0		1 3	1 1	H B 2 3 0 7 1 0		1 3	3 3
H B 2 3 0 0 3 0		1 3	1 4	H B 2 3 0 7 5 0		1 5	1 2
H B 2 3 0 0 4 0		1 3	1 9	H B 2 3 0 8 0 0		1 3	2 0
H B 2 3 0 0 5 1		1 3	1 0	H B 2 4 0 0 1 1		2 1	2

# I N D E X

LIST No.	PAGE No.	ITEM	LIST No.	PAGE No.	ITEM
HB 2 4 0 0 2 0	2 1	8	HB 3 3 0 0 5 0	3 1	2 0
HB 2 4 0 0 3 0	2 1	9	HB 3 3 0 0 6 0	3 1	1 6
HB 2 4 0 0 4 0	2 1	4	HB 3 3 0 0 7 0	3 1	2
HB 2 4 0 0 5 0	2 1	3	HB 3 3 0 0 8 0	3 1	1 7
HB 2 4 0 0 6 0	2 1	1 3	HB 3 3 0 0 9 0	3 1	1
HB 2 4 0 0 7 0	2 1	1 7	HB 3 3 0 1 0 1	3 1	2 1
HB 2 4 0 0 8 0	2 1	1 5	HB 3 3 0 1 1 0	2 9	9
HB 2 4 0 0 9 0	2 1	1 4	HB 3 3 0 1 2 0	3 1	3
HB 2 4 0 1 1 0	2 1	1 6	HB 3 3 0 1 3 0	2 9	7
HB 2 4 0 1 5 1	1 5	2	HB 3 3 0 1 4 0	2 9	1
HB 2 4 0 1 6 1	1 5	1 3	HB 3 3 0 1 5 0	2 9	1 5
HB 2 4 0 2 0 0	2 3	2 1	HB 3 3 0 1 7 0	2 9	6
HB 2 4 0 2 1 0	2 3	2 2	HB 3 3 0 1 9 0	2 9	1 4
HB 2 4 0 2 2 0	2 3	2 3	HB 3 3 0 2 0 0	2 9	1 3
HB 2 4 0 2 3 1	2 3	2 5	HB 3 3 0 2 1 1	2 9	1 1
HB 2 4 0 2 4 1	2 3	2 6	HB 3 3 0 2 2 1	2 9	1 0
HB 2 4 0 2 5 0	2 3	2 7	HG 4 8 0 0 0 1	3 5	6
HB 2 4 0 3 0 0	2 3	1 3	HG 4 8 0 0 0 1	3 7	6
HB 2 4 0 3 1 0	2 1	6	HH 3 2 0 5 5 0	2 5	4
HB 2 4 0 3 3 0	2 1	5	HH 3 3 0 6 7 0	3 1	2 5
HB 2 4 0 3 4 0	2 1	7	HH 3 3 0 7 7 0	3 1	1 0
HB 3 1 0 0 1 0	4 5	1 8	HH 3 3 0 8 1 0	3 1	2 6
HB 3 1 0 0 3 0	4 5	1 9	HH 4 8 1 9 0 0	3 9	2 1
HB 3 1 0 0 4 0	2 5	1 3	HH 4 8 1 9 0 0	4 7	1 8
HB 3 1 0 0 5 1	2 5	2 1	HH 4 8 1 9 1 1	3 9	2 2
HB 3 1 0 0 6 0	2 7	9	HH 4 8 1 9 1 1	4 7	1 9
HB 3 1 0 0 7 0	2 5	2 0	HH 4 8 1 9 3 1	3 9	2 0
HB 3 1 0 0 7 0	2 7	7	HH 4 8 1 9 3 1	4 7	1 7
HB 3 1 0 0 8 0	2 5	1 1	HH 4 8 1 9 4 0	3 9	2 3
HB 3 1 0 1 1 0	2 5	1 8	HH 4 8 1 9 7 0	1 1	3 4
HB 3 1 0 1 2 0	2 7	1	HH 4 8 1 9 7 0	4 1	1 5
HB 3 1 0 1 5 0	2 7	3	HH 4 8 1 9 7 0	4 3	2 4
HB 3 1 0 1 6 0	2 5	6	HH 4 8 1 9 7 0	4 5	1 2
HB 3 1 0 1 6 0	4 5	2 0	HH 4 8 1 9 7 0	4 7	1 2
HB 3 1 0 1 7 0	2 5	1 4	HH 4 8 1 9 8 0	4 1	1 1
HB 3 1 0 1 8 0	3	1 5	HH 4 8 1 9 8 0	4 3	2 8
HB 3 1 0 1 9 1	2 5	1 7	HH 4 8 1 9 8 0	4 5	1 5
HB 3 1 0 2 0 0	2 5	1 6	HH 4 8 1 9 8 0	4 7	1 6
HB 3 1 0 2 1 0	2 7	1 3	HH 4 8 1 9 9 1	4 1	2 2
HB 3 1 0 2 2 0	2 7	8	HH 4 8 1 9 9 1	4 3	1 7
HB 3 1 0 2 6 0	2 5	2 2	HH 4 8 1 9 9 1	4 5	7
HB 3 2 0 0 3 0	1 1	3 0	HH 4 8 1 9 9 1	4 7	7
HB 3 3 0 0 1 0	2 9	1 2	HH 4 8 2 0 0 0	4 3	1 6
HB 3 3 0 0 2 0	2 9	5	HH 4 8 2 0 0 0	4 5	6
HB 3 3 0 0 4 0	3 1	5	HH 4 8 2 0 0 0	4 7	6

# I N D E X

LIST No.	PAGE No.	ITEM	LIST No.	PAGE No.	ITEM
HH 4 8 2 0 1 1	4 1	1 4	HP 4 8 0 1 2 0	3 5	8
HH 4 8 2 0 1 1	4 3	2 5	HP 4 8 0 1 2 0	3 7	8
HH 4 8 2 0 1 1	4 5	1 1	HP 4 8 2 1 7 G 5 2 0	4 3	1 0
HH 4 8 2 0 1 1	4 7	1 3	HP 4 8 2 1 7 G 5 2 0	4 5	4
HH 4 8 2 1 1 0	4 1	2 1	HP 4 8 2 8 4 0	3 9	1 9
HH 4 8 2 1 1 0	4 3	2 0	HP 4 8 2 8 8 0	3 9	4
HH 4 8 2 1 1 0	4 5	1 0	HP 4 8 2 9 1 0	3 9	2
HH 4 8 2 1 1 0	4 7	8	HP 4 8 2 9 1 0	4 1	1 6
HP 1 2 0 0 3 0	3	1 6	HP 4 8 2 9 1 0	4 3	8
HP 1 2 0 0 3 0	5	1 6	HP 4 8 2 9 1 0	4 5	3
HP 1 3 0 0 2 0	3	2 2	HP 4 8 2 9 1 0	4 7	1 0
HP 1 3 0 0 2 0	5	2 2	HP 4 8 2 9 4 0	4 1	9
HP 1 4 0 1 1 1	3	3 8	HP 4 8 2 9 4 0	4 3	7
HP 1 4 0 1 1 1	5	3 5	HP 4 8 2 9 4 0	4 5	2
HP 1 4 0 1 2 0	3	3 9	HP 4 8 2 9 4 0	4 7	5
HP 1 4 0 1 2 0	5	3 4	HP 4 8 2 9 5 0	4 1	5
HP 1 4 0 1 3 0 4 5	3	2 1	HP 4 8 2 9 5 0	4 3	5
HP 1 4 0 1 3 0 4 5	5	2 1	HP 4 8 2 9 5 0	4 7	3
HP 1 4 0 1 7 0	3	1 9	HP 4 8 2 9 8 0	4 1	1 9
HP 1 4 0 1 7 0	5	1 9	HP 4 8 2 9 8 0	4 3	1 8
HP 2 2 0 6 8 0	1 1	2	HP 4 8 2 9 8 0	4 5	8
HP 2 2 0 7 1 2	1 1	5	HP 4 8 2 9 8 0	4 7	9
HP 2 4 1 4 3 0	5 3	5	HP 4 8 2 9 9 0	4 1	1 2
HP 3 1 0 1 5 0	2 5	1 0	HP 4 8 2 9 9 0	4 3	2 7
HP 3 1 0 2 2 0	2 7	1 8	HP 4 8 2 9 9 0	4 5	1 4
HP 3 2 1 0 8 2	1 1	9	HP 4 8 2 9 9 0	4 7	1 5
HP 3 2 1 0 9 0	1 1	1 0	HP 5 1 2 3 1 0	4 9	1 1
HP 3 2 1 1 0 0	2 7	1 0	HP 5 1 2 3 2 0	3	2 0
HP 3 2 1 1 1 0	3	1 4	HP 5 1 2 3 2 0	5	2 0
HP 3 2 1 1 1 0	5	1 4	HP 5 1 2 3 2 0	4 9	1 2
HP 3 2 1 7 1 0	1 1	3 5	HP 5 1 2 3 2 0	5 1	2 9
HP 3 2 1 7 2 0	1 1	3 6	HP 5 1 2 3 3 0	4 9	1 0
HP 3 3 1 5 6 0	3 1	1 3	HP 5 1 2 3 4 1	4 9	9
HP 3 3 1 6 1 0	3 1	1 2	HP 5 1 2 3 5 0	4 9	8
HP 3 3 1 6 6 0	3 1	8	HP 5 1 2 3 6 0	5 1	3 1
HP 3 3 1 7 0 0	3 1	2 3	HP 5 1 2 3 7 0	5 1	2 7
HP 3 3 1 9 2 2	1 1	3 7	HP 7 1 0 7 9 1	5 3	4
HP 3 3 1 9 5 0	3 1	2 4	HP 7 1 1 2 0 0	5 3	6
HP 4 5 1 0 8 0	4 1	7	HS 1 3 0 0 0 0	5	3 3
HP 4 5 1 1 0 0	4 3	2	HS 1 3 0 0 1 0	5	1 5
HP 4 5 1 1 1 G 4 5	4 1	2 6	HS 1 4 0 0 1 0	3	9
HP 4 5 1 1 2 G 5 2 0	4 3	1 1	HS 1 4 0 0 1 0	5	9
HP 4 6 0 1 2 1	3 9	8	HS 1 4 0 1 4 0	3	4
HP 4 6 0 1 6 0	3 9	1 1	HS 1 4 0 1 4 0	5	4
HP 4 6 0 1 7 0	3 9	9	HS 1 4 0 1 5 0	3	6

From the library of: Diamond Needle Corp

# I N D E X

LIST No.	PAGE No.	ITEM	LIST No.	PAGE No.	ITEM
HS 1 4 0 1 5 0	5	6	HS 1 4 0 9 8 0	7	2
HS 1 4 0 1 6 0	3	5	HS 1 4 0 9 8 0	9	2
HS 1 4 0 1 6 0	5	5	HS 1 4 0 9 9 0	7	2 2
HS 1 4 0 1 7 0	3	3	HS 1 4 1 0 0 0	7	1 5
HS 1 4 0 1 7 0	5	3	HS 1 4 1 0 2 0	7	1 5
HS 1 4 0 2 9 0	3	8	HS 2 1 0 0 1 1	1 1	8
HS 1 4 0 2 9 0	5	8	HS 2 1 0 0 2 0	1 1	1
HS 1 4 0 5 4 0	3	3 5	HS 2 1 0 0 3 0	1 1	1 9
HS 1 4 0 5 4 0	5	3 6	HS 2 1 0 0 4 0	1 1	7
HS 1 4 0 5 6 0	3	4 0	HS 2 1 0 0 5 0	5 5	1 3
HS 1 4 0 5 6 0	5	3 9	HS 2 1 0 0 6 0	5 5	3
HS 1 4 0 5 8 0	5	1 3	HS 2 1 0 0 7 0	5 5	1 0
HS 1 4 0 5 9 0	5	7	HS 2 1 0 0 8 0	5 5	9
HS 1 4 0 6 8 0	3	7	HS 2 1 0 0 9 0	5 5	2 8
HS 1 4 0 6 9 0	3	1 3	HS 2 1 0 1 0 0	5 5	1 8
HS 1 4 0 7 0 0	7	1 2	HS 2 1 0 1 1 0	5 5	3 3
HS 1 4 0 7 1 0	9	6	HS 2 1 0 1 2 0	5 5	3 2
HS 1 4 0 7 2 0	7	1 4	HS 2 1 0 1 4 2	5 5	1 1
HS 1 4 0 7 2 0	9	8	HS 2 7 0 0 1 1	6 1	1 1
HS 1 4 0 7 3 0	7	1 9	HS 2 7 0 0 2 0	6 1	1 4
HS 1 4 0 7 3 0	9	1 3	HS 2 7 0 0 3 0	6 1	2
HS 1 4 0 7 7 0	7	1 8	HS 2 7 0 0 4 0	6 1	6
HS 1 4 0 7 7 0	9	1 2	HS 2 7 0 0 5 0	6 1	1 5
HS 1 4 0 7 8 0	9	5	HS 2 7 0 0 6 0	6 1	1 6
HS 1 4 0 8 0 0	7	8	HS 3 1 0 0 0 0	2 7	2
HS 1 4 0 8 1 0	7	1 1	HS 3 1 0 0 1 0	2 5	9
HS 1 4 0 8 2 0	7	5	HS 3 1 0 0 2 0	2 5	7
HS 1 4 0 8 3 0	7	1 0	HS 3 1 0 0 3 0	2 5	8
HS 1 4 0 8 4 0	7	9	HS 3 1 0 0 4 0	4 7	2 0
HS 1 4 0 8 5 0	7	2 1	HS 3 1 0 0 5 0	2 5	1
HS 1 4 0 8 5 0	9	1 5	HS 3 1 0 0 6 0	2 5	2 3
HS 1 4 0 8 6 0	7	1 7	HS 3 1 0 0 7 0	2 7	1 1
HS 1 4 0 8 6 0	9	1 1	HS 3 1 0 0 8 0	2 7	1 2
HS 1 4 0 8 7 0	7	1 3	HS 3 1 0 0 9 0	4 5	1 9
HS 1 4 0 8 7 0	9	7	HS 3 1 0 1 0 0	2 5	1 3
HS 1 4 0 8 8 0	7	1 6	HS 3 2 1 1 4 0	4 5	1 7
HS 1 4 0 8 8 0	9	1 0	HS 4 6 0 0 0 0	3 5	3
HS 1 4 0 8 9 0	7	7	HS 4 6 0 0 0 0	3 7	3
HS 1 4 0 9 0 0	7	4	HS 4 6 0 0 3 0	3 3	8
HS 1 4 0 9 0 0	9	4	HS 4 6 0 0 4 0	3 3	6
HS 1 4 0 9 3 0	7	6	HS 4 6 0 0 5 0	3 3	9
HS 1 4 0 9 6 0	7	1	HS 4 6 0 0 7 0	3 3	3
HS 1 4 0 9 6 0	9	1	HS 4 6 0 0 8 0	3 3	4
HS 1 4 0 9 7 0	7	3	HS 4 6 0 0 9 0	4 1	2 9
HS 1 4 0 9 7 0	9	3	HS 4 6 0 1 0 0	4 3	4



I N D E X

LIST	No.	PAGENO.	ITEM	LIST	No.	PAGENO.	ITEM
HS 4 6 0 1 0 0		4 7	2 1	HT 2 3 0 1 5 1		1 7	4 1
HS 4 6 0 1 1 0		3 3	1 0	HT 2 3 0 1 7 0		1 5	1 0
HS 4 6 0 1 2 0		3 5	4	HT 2 3 0 1 8 0		1 7	2 5
HS 4 6 0 1 2 0		3 7	4	HT 2 3 0 1 9 0		1 7	7
HS 4 6 0 1 3 0		3 9	1 8	HT 2 3 0 2 0 1		1 9	1 8
HS 4 6 0 1 7 0		3 3	1	HT 2 3 0 2 1 0		1 3	3 1
HS 4 6 0 2 0 0		3 3	1 1	HT 2 3 0 2 5 0		1 7	8
HS 4 6 0 2 1 0		3 3	5	HT 2 4 0 0 0 0		1 5	1
HS 4 6 0 2 2 0		3 3	2	HT 2 4 0 0 1 0		1 5	1 4
HS 4 8 0 0 0 0		4 1	2	HT 2 4 0 0 2 0		2 3	9
HS 4 8 0 0 1 0		4 7	2	HT 2 4 0 0 6 0		2 3	1 0
HS 4 8 0 0 2 0		4 3	1	HT 2 4 0 1 0 0		6 3	1
HS 4 8 0 0 3 0		3 9	5	HT 2 4 0 1 2 0		2 3	1
HS 4 8 0 0 4 0		3 9	6	HT 2 4 0 1 3 0		2 3	2
HS 4 8 0 0 5 1		4 1	1	HT 2 4 0 1 4 0		2 3	3
HS 4 8 0 0 6 1		4 1	3	HT 2 4 0 1 5 0		2 3	4
HS 4 8 0 0 7 2		3 9	1	HT 2 4 0 1 6 0		2 3	5
HS 4 8 0 0 8 1		3 5	5	HT 2 4 0 1 7 0		2 3	6
HS 4 8 0 0 8 1		3 7	5	HT 2 4 0 1 8 0		2 3	7
HS 4 8 0 0 9 0		4 1	2 5	HT 2 4 0 2 1 0		2 3	1 5
HS 4 8 0 2 2 1		3 5	7	HT 2 4 0 2 2 0		2 3	1 6
HS 4 8 0 2 2 1		3 7	7	HT 2 4 0 2 3 0		2 3	1 7
HS 4 8 0 2 5 0		4 7	1	HT 2 4 0 2 4 0		2 3	1 8
HS 4 8 0 2 6 0		4 3	1 5	HT 2 4 0 2 5 0		6 3	2
HS 4 8 0 2 8 0		4 1	2 3	HT 2 4 0 2 7 0		6 3	3
HS 5 1 0 0 0 0		3	1 7	HT 2 4 0 2 8 0		6 3	4
HS 5 1 0 0 0 0		5	1 7	HT 2 4 0 2 9 0		6 3	5
HS 7 3 0 0 0 0		3 3	1 2	HT 2 4 0 3 0 0		6 3	6
HS 7 3 0 0 0 0		3 5	1 2	HT 2 4 0 3 1 0		6 3	7
HS 7 3 0 0 0 0		3 7	1 2	HT 2 4 0 3 2 0		2 3	1 4
HT 2 3 0 0 0 0		1 7	1 5	HT 2 4 0 3 3 0		2 3	1 9
HT 2 3 0 0 2 0		1 5	3	HT 2 4 0 3 4 0		6 3	9
HT 2 3 0 0 3 0		1 5	8	HT 2 7 0 0 0 1		5 9	2
HT 2 3 0 0 4 1		1 7	4 2	HT 2 7 0 0 1 0		5 9	2 2
HT 2 3 0 0 5 1		1 7	4 3	HT 2 7 0 0 2 1		5 9	5
HT 2 3 0 0 6 1		1 7	1 8	HT 2 7 0 0 3 0		5 9	1
HT 2 3 0 0 7 0		1 5	9	HT 2 7 0 0 4 0		5 9	4
HT 2 3 0 0 8 0		1 5	1 1	HT 2 7 0 0 6 1		5 9	2 5
HT 2 3 0 0 9 0		1 3	2	HT 3 3 0 0 0 0		3 1	4
HT 2 3 0 1 0 0		1 3	3	HT 7 1 0 0 0 0		5 3	3
HT 2 3 0 1 1 0		1 3	1	HU 3 1 5 2 9 0		2 7	1 7
HT 2 3 0 1 1 0		1 7	1 6	KB 2 7 0 0 1 0		5 5	2 5
HT 2 3 0 1 2 0		1 7	1 1	KC 2 2 0 6 4 2		5 5	2 3
HT 2 3 0 1 3 0		1 7	2	KC 2 2 0 6 5 0		1 1	1 3
HT 2 3 0 1 4 1		1 7	9	KC 2 5 0 4 8 2		1 1	1 8

From the library of: Diamond Needle Corp

# I N D E X

LIST	No.	PAGE No.	ITEM	LIST	No.	PAGE No.	ITEM
K C 2 7 0 1 0 1		5 9	1 8	K F 2 5 0 9 0 0		1 1	2 4
K C 2 7 0 2 7 1		5 9	6	K F 3 3 0 3 8 1		1 7	2 8
K C 2 7 0 2 9 2		5 9	7	K F 5 3 0 1 1 1		4 9	1 9
K C 2 7 0 9 5 0		5 5	2 0	K F 5 3 0 1 1 1		5 1	1 3
K C 2 7 0 9 6 0		5 5	1 4	K F 5 3 0 1 2 0		4 9	1 9
K C 2 7 0 9 7 0		5 5	2 2	K F 5 3 0 1 2 0		5 1	1 3
K C 2 7 0 9 8 0		5 5	1 9	K F 5 3 0 1 5 0		4 9	1 8
K C 2 7 1 0 0 1		5 5	1 2	K F 5 3 0 1 5 0		5 1	1 5
K C 2 7 1 4 3 0		6 1	1 2	K F 5 3 0 1 6 0		4 9	2 1
K C 2 7 1 4 4 0		6 1	1	K F 5 3 0 1 6 0		5 1	1 1
K C 2 7 1 9 4 0		5 5	7	K F 5 3 0 1 7 0		4 9	2 3
K C 2 7 1 9 5 0		5 5	6	K F 5 3 0 1 7 0		5 1	1 9
K C 3 2 0 8 2 0		2 5	5	K F 7 1 0 3 9 0		5 3	1 2
K C 3 2 0 8 2 0		2 7	1 9	K G 7 1 0 1 6 1		5 3	7
K C 3 3 0 1 7 0		2 9	3	K L 2 2 0 1 2 0		1 1	2 8
K C 3 3 0 1 8 0		6 1	3	K L 2 2 0 1 4 0		1 1	6
K C 3 3 0 2 8 0		2 9	2	K L 2 3 0 2 8 0		1 7	3 0
K C 3 3 0 3 1 0 3 0 0		3 1	6	K L 2 7 0 0 0 0		5 9	8
K C 3 3 0 4 1 0		1 7	5	K L 2 7 0 0 1 0		5 9	1 0
K C 3 3 0 4 1 0		3 1	9	K L 2 7 0 0 2 0		5 9	9
K C 3 3 0 4 1 0		6 1	1 0	K L 2 7 0 0 3 0		5 9	1 1
K C 3 3 0 4 2 0		3 1	1 1	K L 2 7 0 0 4 0		5 9	1 3
K C 3 3 0 5 1 0		6 1	9	K L 2 7 0 0 5 0		5 9	1 4
K C 5 2 0 0 2 0		4 9	1 3	K L 2 7 0 0 6 0		5 9	1 5
K C 5 2 0 0 2 0		5 1	1 7	K L 2 7 0 0 7 0		5 9	1 7
K C 5 3 0 2 3 0		4 9	1 7	K L 2 7 0 0 8 1		5 7	2
K C 5 3 0 2 3 0		5 1	1 4	K L 2 7 0 0 9 1		5 7	1 1
K C 5 3 0 2 4 0		4 9	2 0	K L 2 7 0 1 0 1		5 7	5
K C 5 3 0 2 4 0		5 1	1 2	K L 2 7 0 1 1 0		5 7	8
K F 2 2 0 2 2 0		1 1	4	K L 2 7 0 1 2 0		5 7	7
K F 2 2 0 2 3 0		1 1	3	K L 2 7 0 1 3 0		5 7	6
K F 2 2 0 2 4 0		1 1	1 4	K L 2 7 0 1 4 0		5 7	4
K F 2 2 0 3 0 2		1 1	1 7	K L 2 7 0 1 4 0		5 9	2 1
K F 2 2 0 4 2 1		1 1	1 6	K L 2 7 0 1 5 0		5 7	3
K F 2 3 0 2 3 0		1 7	1 2	K L 2 7 0 1 5 0		5 9	2 0
K F 2 3 0 2 4 0		1 7	1 4	K L 2 7 0 2 6 0		5 7	9
K F 2 3 0 2 5 0		1 7	1 3	K L 2 7 0 3 6 0		5 5	8
K F 2 3 0 5 0 0		1 3	6	K L 2 7 0 3 8 0		5 5	1 7
K F 2 3 0 5 8 0		5 9	3	K L 2 7 0 3 9 0		5 5	3 1
K F 2 3 0 6 3 0		3 1	1 9	K L 2 7 0 4 0 0		5 7	1 7
K F 2 3 0 6 4 0		1 7	4	K L 2 7 0 4 1 0		5 7	1 3
K F 2 3 0 6 6 1		1 7	3 1	K L 2 7 0 4 2 0		5 7	1 6
K F 2 3 0 6 7 0		1 7	3 2	K L 2 7 0 4 3 0		5 7	1 5
K F 2 3 0 9 1 0		1 7	1 0	K L 2 7 0 4 4 0		5 7	1 8
K F 2 4 0 9 0 0		5 3	2	K L 2 7 0 4 5 0		5 7	1 2

